

PARTS LIST
Universal

MARINE DIESEL ENGINE

M-25XPB

M-35B

M-40B

PUBLICATION NO. 201021

1ST Edition

December 2001



WESTERBEKE CORPORATION MYLES STANDISH INDUSTRIAL PARK
150 JOHN HANCOCK ROAD TAUNTON, MA 02780-7319 U.S.A.
WEBSITE: WWW.WESTERBEKE.COM

 **Member National Marine Manufacturers Association**

IMPORTANT

Product Software Disclaimer

Product software of all kinds, such as brochures, drawing, technical data, operator's and workshop manuals, parts lists and parts price lists, and other information, instructions and specifications provided from sources other than Westerbeke, is not within Westerbeke's control and; accordingly, is provided to Westerbeke customers only as a courtesy and service. Westerbeke cannot be responsible for the content of such software, makes no warranties or representations with respect thereto, including the accuracy, timeliness or completeness thereof, and will in no event be liable for any type of damages or injury incurred in connection with, or arising out of, the furnishing or use of such software.

For example, components and subassemblies incorporated in Westerbeke's products and supplied by others (such as engine blocks, fuel systems and components, transmissions, electrical components, pumps and other products) are generally supported by their manufacturers with their own software, and Westerbeke must depend on such software for the design of Westerbeke's own product software. Such software may be outdated and no longer accurate. Routine changes made by Westerbeke's suppliers, of which Westerbeke rarely has notice in advance, are frequently not reflected in the supplier's software until after such changes take place.

Westerbeke customers should also keep in mind the time span between printings of Westerbeke product software and the unavoidable existence of earlier, non-current, Westerbeke software editions in the field. Additionally, most Westerbeke products include customer-requested special features that frequently do not include complete documentation.

In summation, product software provided with Westerbeke products, whether from Westerbeke or other suppliers, must not and cannot be relied upon exclusively as the definitive authority on the respective product. It not only makes good sense but is imperative that appropriate representatives of Westerbeke or the supplier in question be consulted to determine the accuracy and currency of the product software being consulted by the customer.

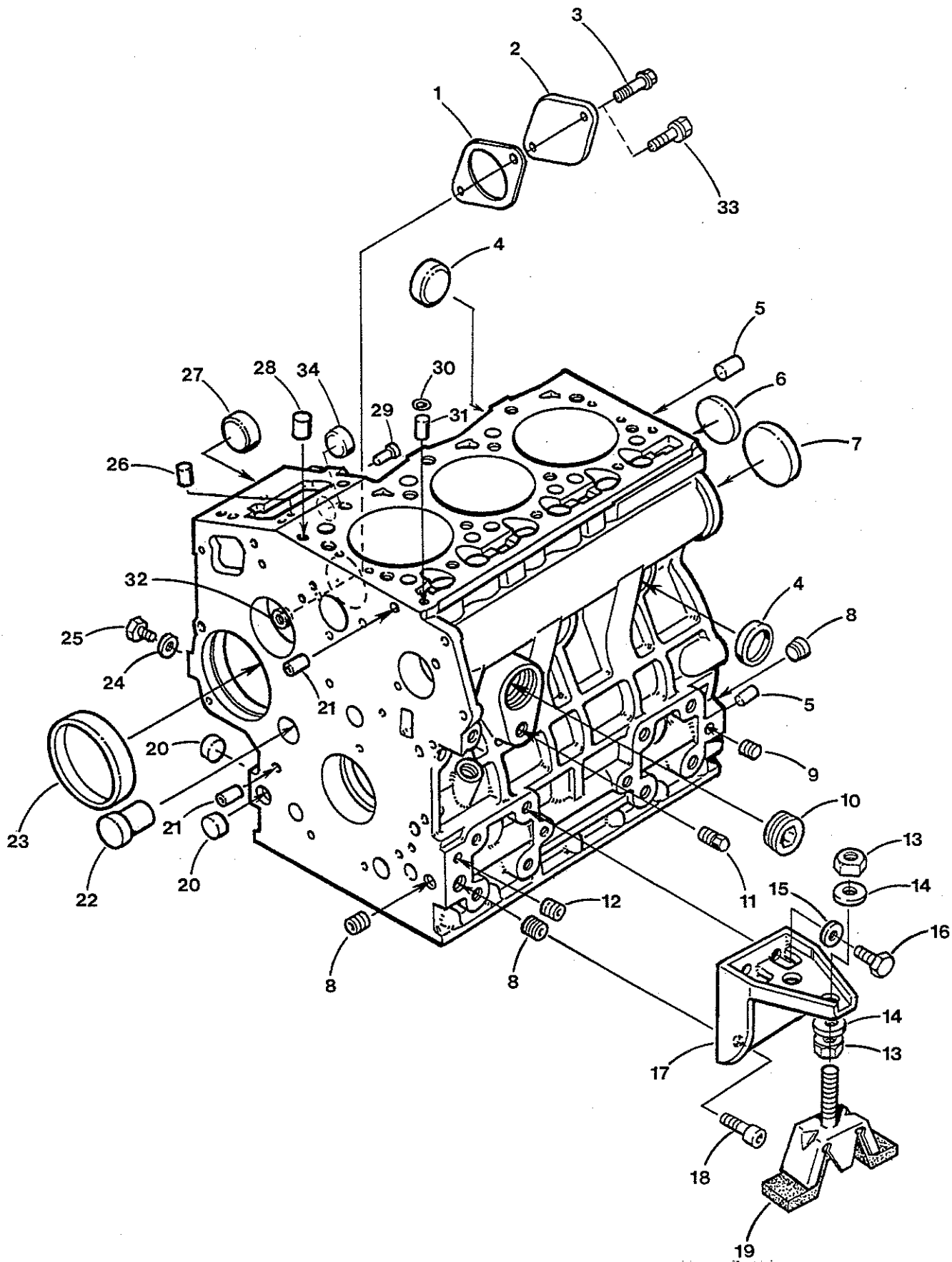
Table of Contents

M-25XPB M-35B M-40B
UNIVERSAL DIESEL ENGINES - B SERIES

Model	Model Type	KW	Fuel	Frequency
M-25XPB	Propulsion		Diesel	
M-35B	Propulsion		Diesel	
M-40B	Propulsion		Diesel	

Page	Description
1	CYLINDER BLOCK ASSEMBLY - M-25XPB
3	CYLINDER BLOCK ASSEMBLY - M-35B / M-40B
5	OIL PAN ASSEMBLY, OIL PRESSURE SWITCH - M-25XPB
7	OIL PAN ASSEMBLY, OIL PRESSURE SWITCH - M-35B / M-40B
9	CYLINDER HEAD ASSEMBLY - M-25XPB
11	CYLINDER HEAD ASSEMBLY - M-35B / M-40B
13	GEAR CASE ASSEMBLY - M-25XPB / M-35B / M-40B
15	PISTONS, CRANKSHAFT AND MAIN BEARINGS - M-25XPB
17	PISTONS, CRANKSHAFT AND MAIN BEARINGS - M-35B / M-40B
19	PISTONS, CRANKSHAFT AND MAIN BEARINGS - M-35B / M-40B
21	VALVE HEAD COVER AND AIR INTAKE MANIFOLD - M-25XPB
23	VALVE HEAD COVER AND AIR INTAKE MANIFOLD - M-35B / M-40B
25	EXHAUST MANIFOLD AND HEAT EXCHANGER - M-25XPB/ M-35B/ M-40B
27	FUEL FILTER, NOZZLE HOLDERS AND INJECTORS - M-25XPB
29	FUEL FILTER, NOZZLE HOLDERS AND INJECTORS - M-35B / M-40B
31	FUEL CAMSHAFT AND GOVERNOR SHAFT - M-25XPB
33	FUEL CAMSHAFT AND GOVERNOR SHAFT - M-35B / M-40B
35	VALVES, ROCKER ARMS AND CAMSHAFTS - M-25XPB
37	VALVES, ROCKER ARMS AND CAMSHAFTS - M-35B / M-40B
39	THROTTLE AND GOVERNOR ASSEMBLIES
41	THROTTLE AND GOVERNOR ASSEMBLIES
43	FUEL LIFT PUMP, SOLENOID AND FUEL RETURN
45	FRESH WATER COOLING SYSTEM
47	FRESH WATER COOLING SYSTEM
49	RAW WATER PUMP
51	BELL HOUSING AND TRANSMISSION
53	BELL HOUSING AND TRANSMISSION
55	MODEL HBW VERTICAL SHIFTING BRACKET
57	ALTERNATOR ASSEMBLY
59	ELECTRICAL SYSTEM
61	PROPULSION INSTRUMENT PANELS
63	NOTES
64	MISCELLANEOUS
65	NUMERICAL INDEX

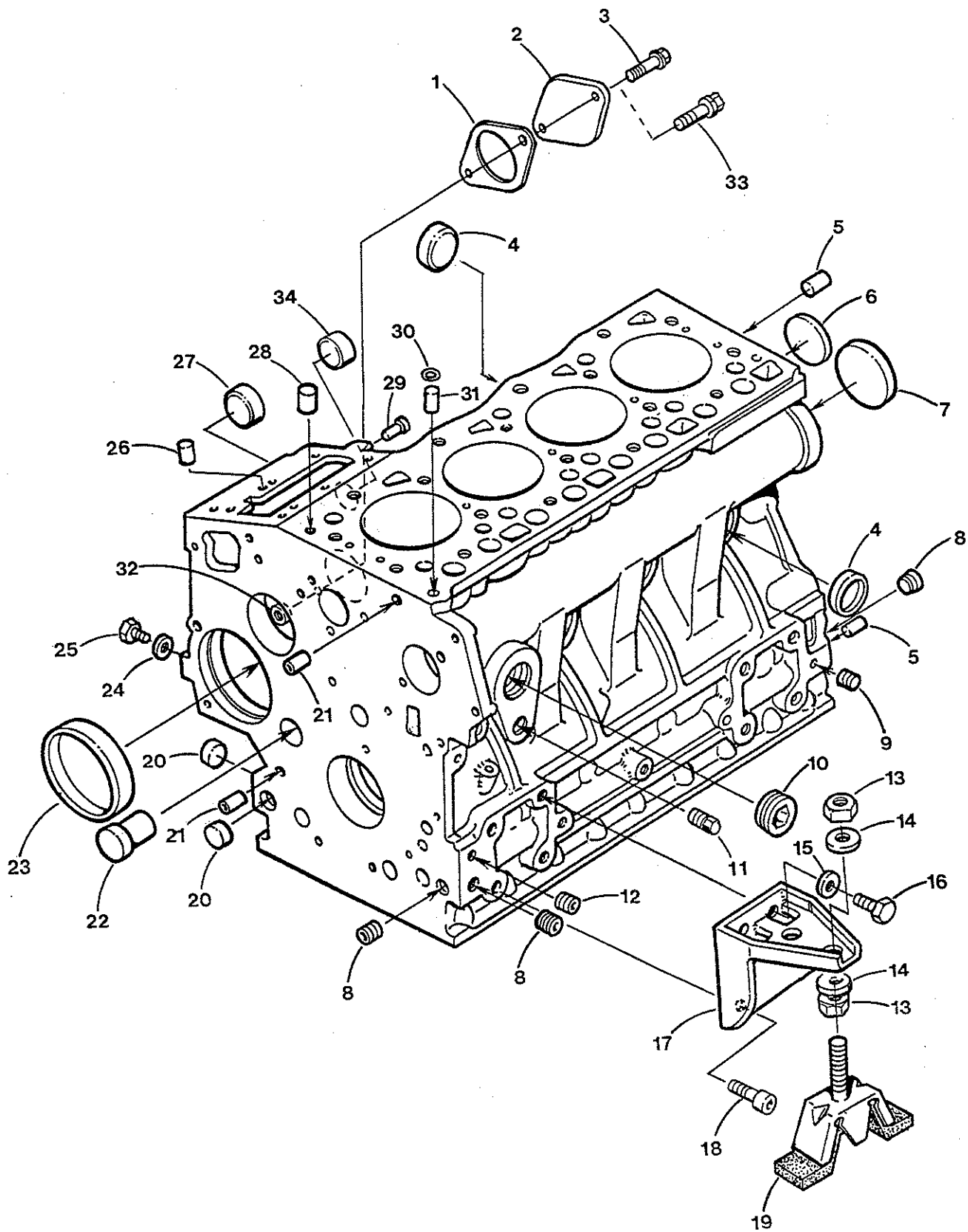
CYLINDER BLOCK ASSEMBLY - M-25XPB



CYLINDER BLOCK ASSEMBLY - M-25XPB

Reference #	Part #	Part Name	Remarks	Quantity
1	200916	GASKET	PUMP COVER	1
2	200905	COVER	PUMP	1
3-1	017196	CAPSCREW	M 8 X 20 DIN 933	1
3-2	031786	LOCKWASHER	M 8 DIN 127	1
4	301201	PLUG	EXPANSION	4
5	299360	DOWEL		2
6	299355	PLUG	EXPANSION	1
7	200896	PLUG	EXPANSION	1
8	200835	PLUG		3
9	302589	PLUG		3
10	200956	PLUG		1
11	013341	PLUG	1/4 NPT HEX HEAD (BRASS)	1
12	302587	PLUG		2
13	040966	NUT	JAM M 16, SELF-LOCKING	2
14	031828	WASHER	FLAT, 5/8 SAE (STEEL)	2
15	019262	LOCKWASHER	M 10 DIN 127	4
16	024951	CAPSCREW	M 10 X 1.25 X 20 DIN 961	4
17	200435	MOUNT	FRONT	2
18	200442	CAPSCREW	M 10 X 1.25 X 20 DIN 7991	4
19	040510	ISOLATOR	MARINE 75-130 LB.	2
20	200978	PLUG	EXPANSION	3
21	300716	DOWEL	TUBULAR	2
22	200906	PLUG		1
23	200885	BUSHING	GOVERNOR GEAR	1
24	298659	GASKET		1
25	298658	PLUG		1
26	301543	DOWEL		2
27	200837	PLUG		1
28	200636	DOWEL		2
29	200854	PIN	START SPRING	1
30	299362	O-RING		1
31	200797	DOWEL	TUBULAR	1
32	301297	NUT	M 8 SELF-LOCKING	1
33	301729	CAPSCREW	M 8 X 32 JIS 7 W/LW	1
34	200641	PLUG	EXPANSION	1
35	200456	BLOCK	ASSEMBLY INCL. HEAD - M-25XPB	1

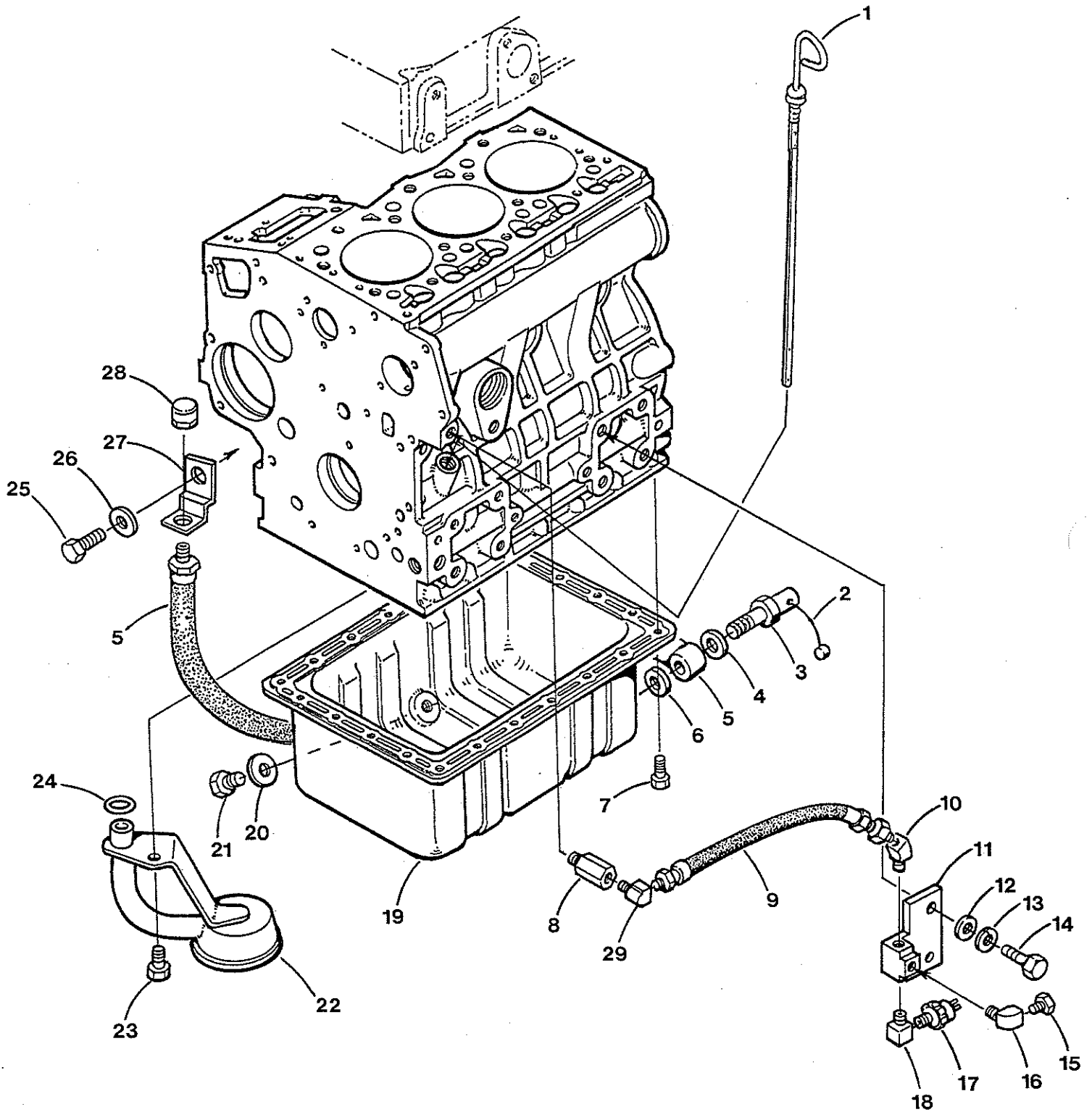
CYLINDER BLOCK ASSEMBLY - M-35B / M-40B



CYLINDER BLOCK ASSEMBLY - M-35B / M-40B

Reference #	Part #	Part Name	Remarks	Quantity
1	200916	GASKET	PUMP COVER	1
2	200905	COVER	PUMP	1
3-1	017196	CAPSCREW	M 8 X 20 DIN 933	2
3-2	031786	LOCKWASHER	M 8 DIN 127	2
4	301201	PLUG	EXPANSION	6
5	200725	DOWEL		2
6	299355	PLUG	EXPANSION	1
7	200896	PLUG	EXPANSION	1
8	200835	PLUG		3
9	302589	PLUG		4
10	200956	PLUG		1
11	013341	PLUG	1/4 NPT HEX HEAD (BRASS)	1
12	302587	PLUG		2
13	040966	NUT	JAM M 16, SELF-LOCKING	2
14	031828	WASHER	FLAT, 5/8 SAE (STEEL)	2
15	019262	LOCKWASHER	M 10 DIN 127	4
16	024951	CAPSCREW	M 10 X 1.25 X 20 DIN 961	4
17	200435	MOUNT	FRONT	2
18	200442	CAPSCREW	M 10 X 1.25 X 20 DIN 7991	4
19	040510	ISOLATOR	MARINE 75-130 LB.	2
20	200978	PLUG	EXPANSION	3
21	300716	DOWEL	TUBULAR	2
22	200906	PLUG		1
23	200885	BUSHING	GOVERNOR GEAR	1
24	298659	GASKET		1
25	298658	PLUG		1
26	200729	DOWEL		2
27	200837	PLUG		1
28	200724	DOWEL		2
29	200722	PIN	START SPRING	1
30	299362	O-RING		1
31	200797	DOWEL	TUBULAR	1
32	301297	NUT	M 8 SELF-LOCKING	1
33	301729	CAPSCREW	M 8 X 32 JIS 7 W/LW	1
34	200641	PLUG	EXPANSION	1
35-1	200457	BLOCK	ASSEMBLY INCL. HEAD - M-35B	1
35-2	201028	BLOCK	ASSEMBLY INCL. HEAD - M-40B	1

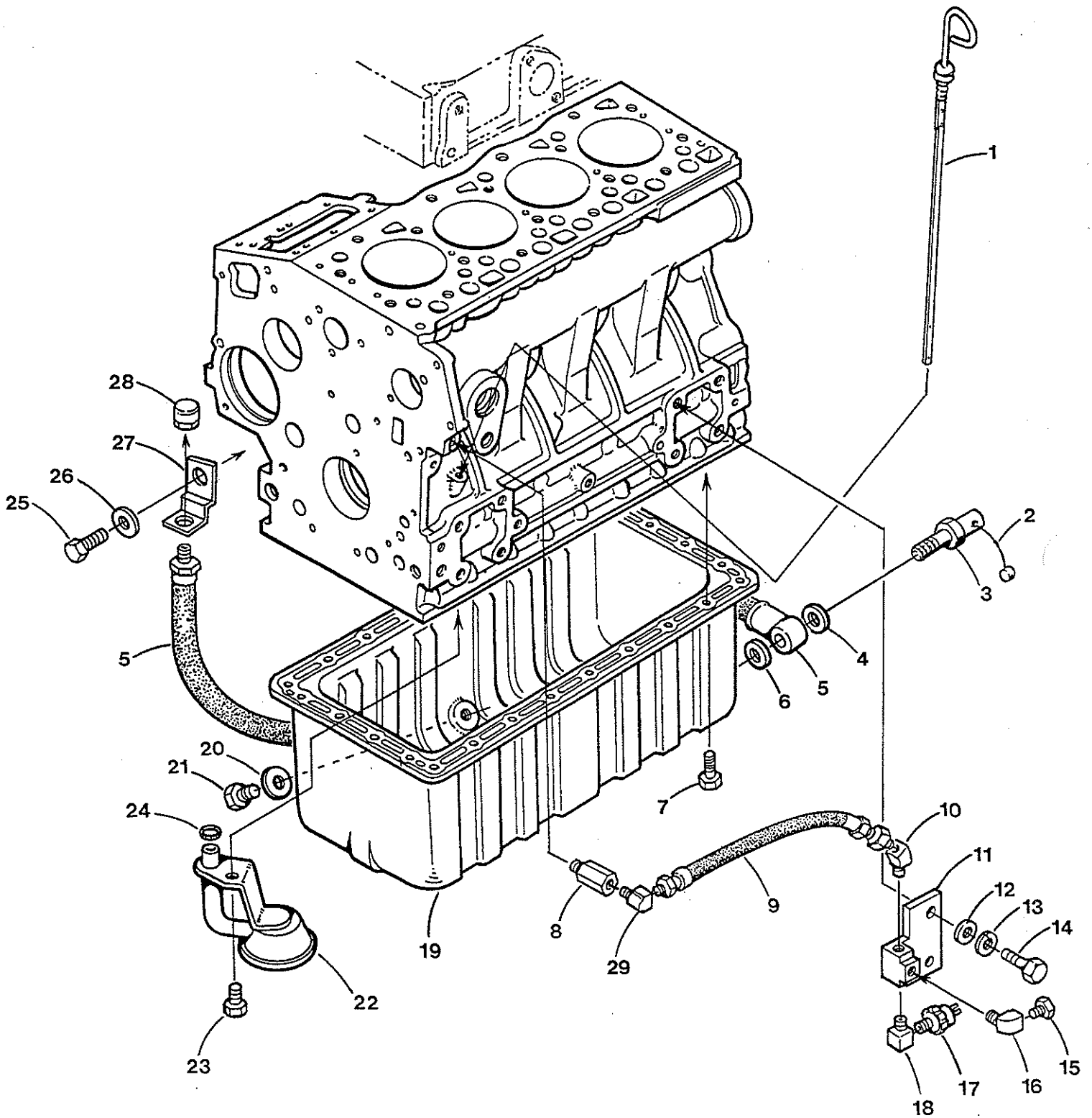
OIL PAN ASSEMBLY, OIL PRESSURE SWITCH - M-25XPB



OIL PAN ASSEMBLY, OIL PRESSURE SWITCH - M-25XPB

Reference #	Part #	Part Name	Remarks	Quantity
1	200901	DIPSTICK		1
2	037393	SEAL	LEAD WIRE	1
3	036823	BOLT	BANJO-SUMP M 12 X 1.25	1
4	036493	WASHER		1
5	030848	HOSE	SUMP DRAIN 24 INCH	1
6	036647	WASHER		1
7	035785	CAPSCREW	M 6 X 12 JIS 6 W/LW	22
8	024844	ADAPTER	1/8 BSPT TO 1/8 NPT	1
9	039385	HOSE	OIL	1
10	015122	ELBOW	1/8NPT TO 45 DEG STREET (STEEL)	1
11	032480	BRACKET	OIL PRESSURE SENDER	1
12	031789	WASHER	M 10 DIN 125	1
13	019262	LOCKWASHER	M 10 DIN 127	2
14	024951	CAPSCREW	M 10 X 1.25 X 20 DIN 961	2
15	019369	PLUG	HEX HEAD, 1/8 NPT (BRASS)	1
16	015122	ELBOW	1/8NPT TO 45 DEG STREET (STEEL)	1
17	037323	SWITCH	OIL PRESSURE, NO. 5	1
18	013340	ELBOW	1/8 NPT 90 DEG STREET (BRASS)	1
19	201003	SUMP	OIL	1
20	299371	GASKET	DRAIN PLUG	1
21	298660	PLUG	DRAIN	1
22	201041	STRAINER	OIL PICK-UP	1
23-1	016789	CAPSCREW	M 8 X 16 DIN 933	1
23-2	031786	LOCKWASHER	M 8 DIN 127	1
24	299967	O-RING		1
25-1	035789	CAPSCREW	M 6 X 45 JIS 6 W/LW	1
25-2	013629	CAPSCREW	M 10 X 25 DIN 933 - V-DRIVE OPTION	1
26	031753	WASHER	FLAT, 1/4" SAE (STEEL)	1
27	024922	BRACKET	SUMP DRAIN HOSE	1
28	024905	CAP	1/4 NPT (BRASS)	1
29	013340	ELBOW	1/8 NPT 90 DEG STREET (BRASS)	1

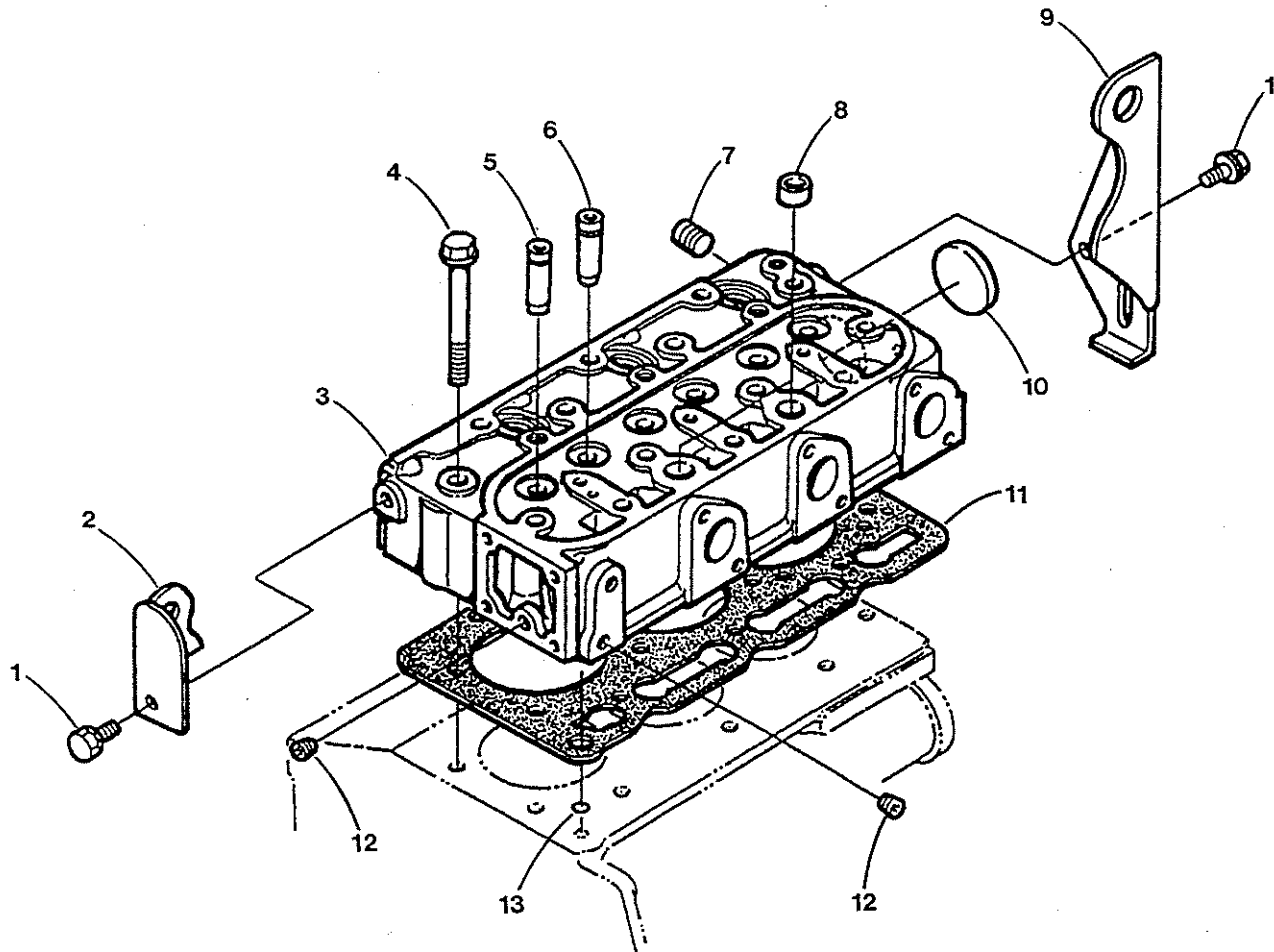
OIL PAN ASSEMBLY, OIL PRESSURE SWITCH - M-35B / M-40B



OIL PAN ASSEMBLY, OIL PRESSURE SWITCH - M-35B / M-40B

Reference #	Part #	Part Name	Remarks	Quantity
1	200728	DIPSTICK		1
2	037393	SEAL	LEAD WIRE	1
3	036823	BOLT	BANJO-SUMP M 12 X 1.25	1
4	036493	WASHER	1.00 OD X 0.708 ID	1
5	030848	HOSE	SUMP DRAIN 24 INCH	1
6	036647	WASHER	1.00 OD X 0.473 ID	1
7	035785	CAPSCREW	M 6 X 12 JIS 6 W/LW	26
8	024844	ADAPTER	1/8 BSPT TO 1/8 NPT	1
9	039385	HOSE	OIL	1
10	015122	ELBOW	1/8NPT TO 45 DEG STREET (STEEL)	1
11	032480	BRACKET	OIL PRESSURE SENDER	1
12	031789	WASHER	M 10 DIN 125	2
13	019262	LOCKWASHER	M 10 DIN 127	2
14	024951	CAPSCREW	M 10 X 1.25 X 20 DIN 961	2
15	019369	PLUG	HEX HEAD, 1/8 NPT (BRASS)	1
16	015122	ELBOW	1/8NPT TO 45 DEG STREET (STEEL)	1
17	037323	SWITCH	OIL PRESSURE, NO. 5	1
18	013340	ELBOW	1/8 NPT 90 DEG STREET (BRASS)	1
19	201004	SUMP	OIL	1
20	201008	GASKET	SUMP	1
21	298660	PLUG	DRAIN	1
22	200900	STRAINER	OIL PICK-UP	1
23-1	016789	CAPSCREW	M 8 X 16 DIN 933	1
23-2	031786	LOCKWASHER	M 8 DIN 127	1
24	200632	O-RING		1
25-1	035789	CAPSCREW	M 6 X 45 JIS 6 W/LW	1
25-2	013629	CAPSCREW	M 10 X 25 DIN 933 - V-DRIVE OPTION	1
26	031753	WASHER	FLAT, 1/4" SAE (STEEL)	1
27	024922	BRACKET	SUMP DRAIN HOSE	1
28	024905	CAP	1/4 NPT (BRASS)	1
29	013340	ELBOW	1/8 NPT 90 DEG STREET (BRASS)	1

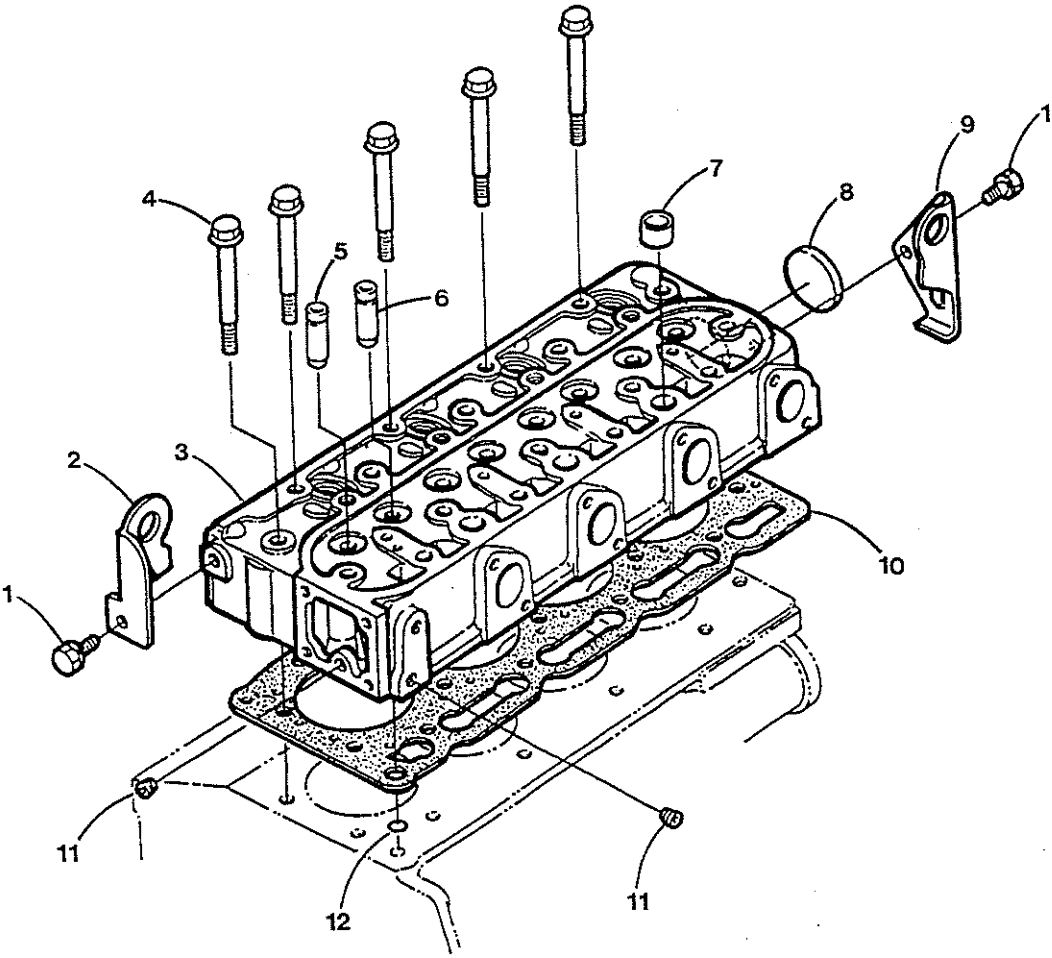
CYLINDER HEAD ASSEMBLY - M-25XPB



CYLINDER HEAD ASSEMBLY - M-25XPB

Reference #	Part #	Part Name	Remarks	Quantity
1-1	016789	CAPSCREW	M 8 X 16 DIN 933	2
1-2	031786	LOCKWASHER	M 8 DIN 127	2
2	301549	EYE	LIFTING	1
3	200697	HEAD	CYLINDER	1
4	200735	BOLT	CYLINDER HEAD	14
5	200753	GUIDE	INTAKE VALVE	3
6	200754	GUIDE	EXHAUST VALVE	3
7	301550	PLUG		1
8	302690	PLUG	EXPANSION	2
9	200734	EYE	LIFTING	1
10	299906	PLUG	EXPANSION 30MM DIN 443 BRASS	1
11	200731	GASKET	CYLINDER HEAD	1
12	302593	PLUG		2
13	299362	O-RING		1

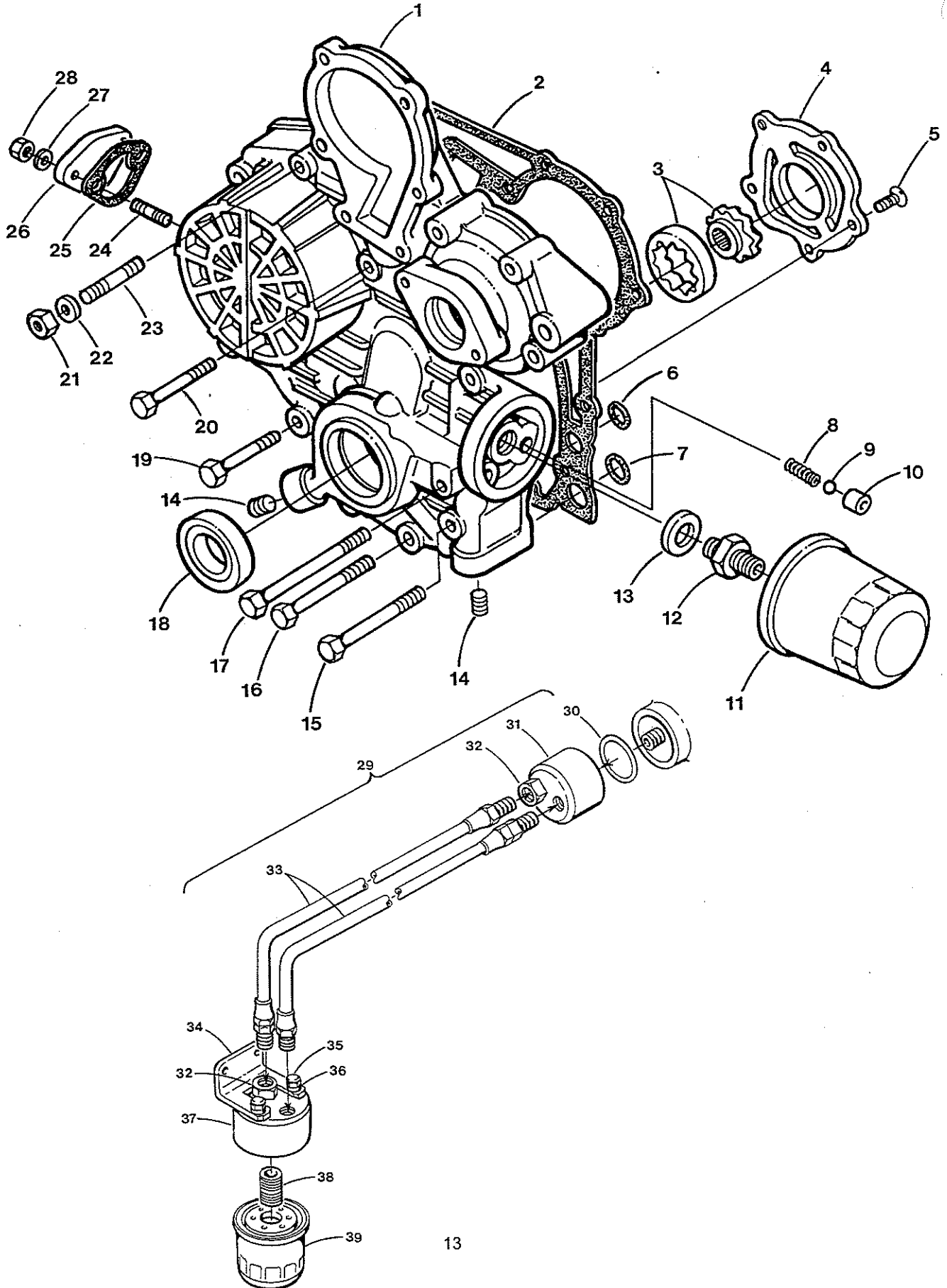
CYLINDER HEAD ASSEMBLY - M-35B / M-40B



CYLINDER HEAD ASSEMBLY - M-35B / M-40B

Reference #	Part #	Part Name	Remarks	Quantity
1-1	016789	CAPSCREW	M 8 X 16 DIN 933 W/LW	2
1-2	031786	LOCKWASHER	M 8 DIN 127	2
2	200733	EYE	LIFTING	1
3-1	200709	HEAD	CYLINDER - M-35B	1
3-2	200712	HEAD	CYLINDER - M-40B	1
4	200735	BOLT	CYLINDER HEAD	18
5	200753	GUIDE	INTAKE VALVE	4
6	200754	GUIDE	EXHAUST VALVE	4
7	302690	PLUG	EXPANSION	3
8	299906	PLUG	EXPANSION 30MM DIN 443 BRASS	1
9	200734	EYE	LIFTING	1
10-1	200867	GASKET	CYLINDER HEAD - M-35B	1
10-2	200910	GASKET	CYLINDER HEAD - M-40B	1
11	302593	PLUG		2
12	299362	O-RING		1

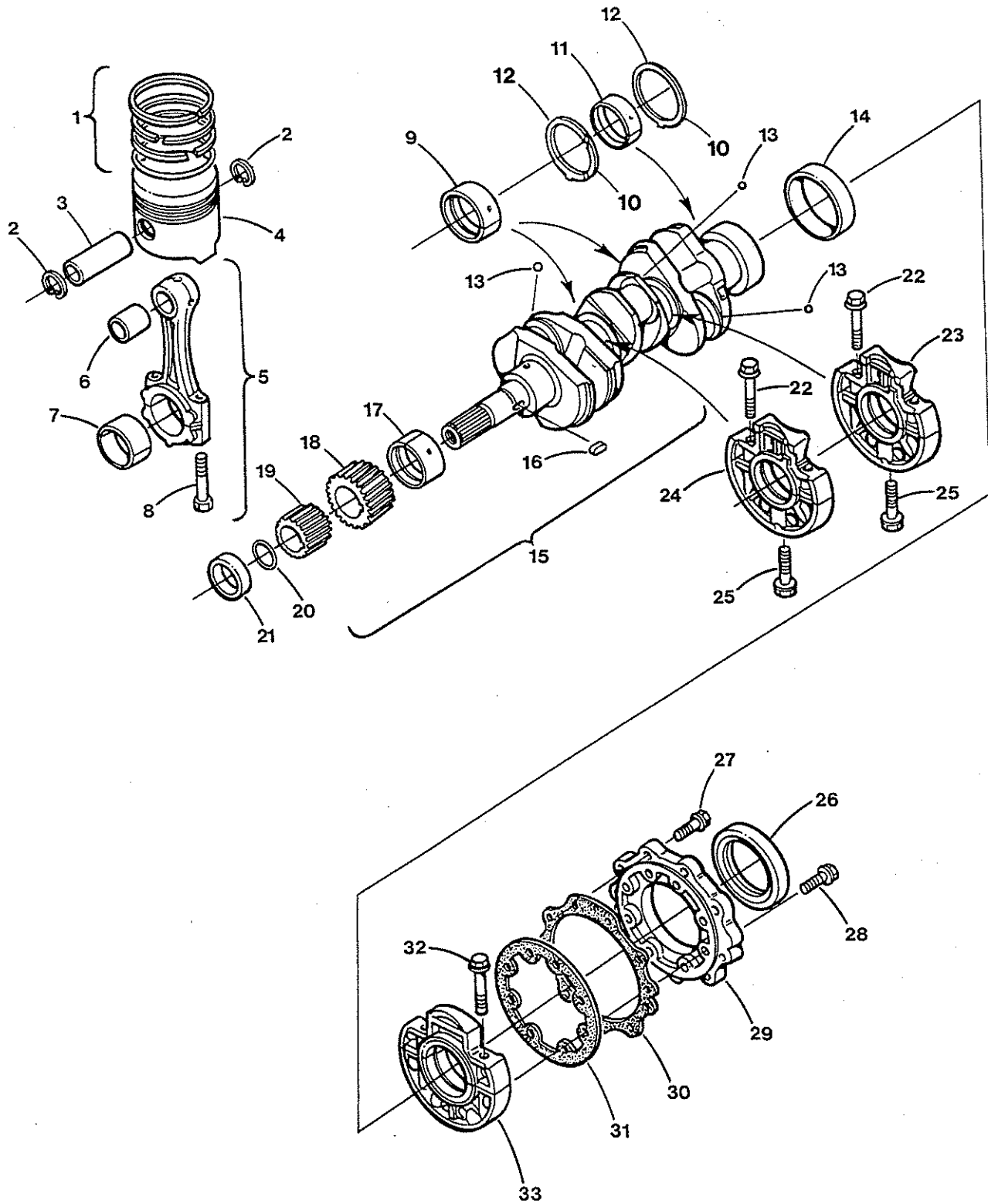
GEAR CASE ASSEMBLY - M-25XPB / M-35B / M-40B



GEAR CASE ASSEMBLY - M-25XPB / M-35B / M-40B

Reference #	Part #	Part Name	Remarks	Quantity
1	200868	ASSEMBLY	GEAR CASE	1
2	200858	GASKET	GEAR CASE	1
3	200798	PUMP	OIL	1
4	200799	COVER	OIL PUMP	1
5	200832	SCREW	OIL PUMP COVER	5
6-1	298738	O-RING	M-25XPB	2
6-2	200633	O-RING	M-35B / M-40B	2
7-1	299559	O-RING	M-25XPB	2
7-2	200631	O-RING	M-35B / M-40B	2
8	200802	SPRING	OIL RELIEF VALVE	1
9	200642	BALL		1
10	200801	CAP	OIL RELIEF VALVE	1
11	300209	FILTER	OIL	1
12	301490	ADAPTER	OIL FILTER	1
13	032175	WASHER	FLAT M 18	1
14	200836	PLUG		2
15-1	030146	CAPSCREW	M 6 X 55 DIN 931	2
15-2	031783	LOCKWASHER	M 6 DIN 127	2
16-1	300330	CAPSCREW	M 6 X 50 DIN 931	6
16-2	031783	LOCKWASHER	M 6 DIN 127	6
17	200830	BOLT	TIMING CASE	1
18	200737	SEAL	OIL	1
19	200689	BOLT	TIMING CASE	1
20	035789	CAPSCREW	M 6 X 45 JIS 6 W/LW	3
21	015812	NUT	M 6 DIN 934	1
22	031783	LOCKWASHER	M 6 DIN 127	1
23-1	200624	STUD	TIMING CASE - M-25XPB	1
23-2	200838	STUD	TIMING CASE - M-35B / M-40B	1
24-1	301507	STUD	TIMING CASE - M-25XPB	2
24-2	200839	STUD	TIMING CASE- M-35B / M-40B	2
25	200861	GASKET	FUEL PUMP	1
26	302744	COVER	FUEL PUMP	1
27	031783	LOCKWASHER	M 6 DIN 127	2
28	015812	NUT	M 6 DIN 934	2
29	040078	FILTER KIT	REMOTE LUBE OIL - INCLUDES REF #'S 30 - 39	1
30	302842	O-RING		1
31	040075	ADAPTER	REMOTE OIL FILTER	1
32	013348	CONNECTOR	HOSE	2
33	011925	HOSE	OIL 40-1/4 LG	2
34	040074	BRACKET	REMOTE OIL FILTER	1
35	031503	CAPSCREW	1/4 NC x 3/4	2
36	031752	LOCKWASHER	SPLIT 1/4 MED (STEEL)	2
37	040073	ADAPTER	REMOTE OIL FILTER	1
38	034663	NIPPLE	OIL FILTER TO ADAPTER	1
39	036918	FILTER	LUBE OIL	1

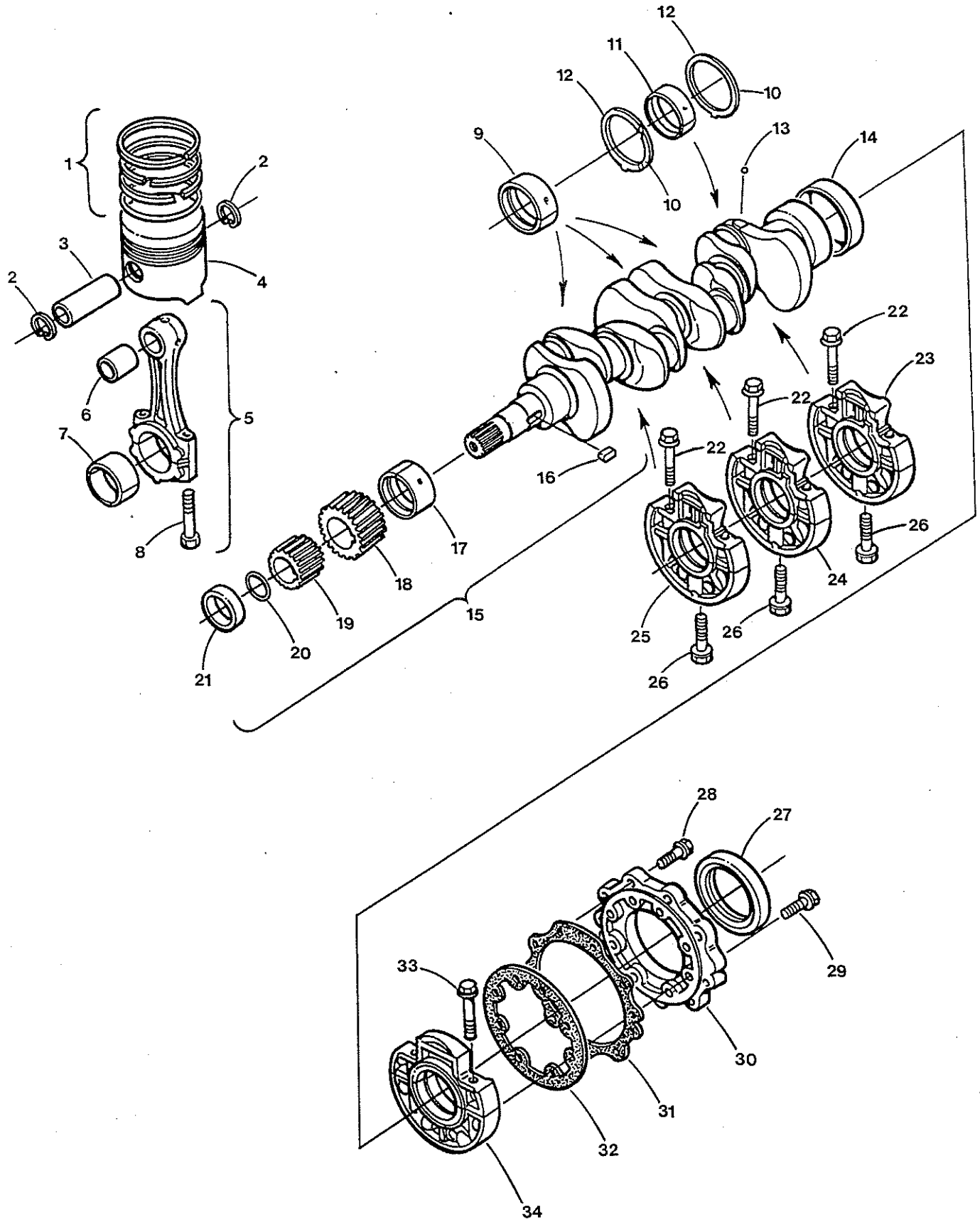
PISTONS, CRANKSHAFT AND MAIN BEARINGS - M-25XPB



PISTONS, CRANKSHAFT AND MAIN BEARINGS - M-25XPB

Reference #	Part #	Part Name	Remarks	Quantity
1-1	200875	RING SET	STD	3
1-2	200876	RING SET	0.5 MM	3
2	200772	RING	RETAINING	6
3	200771	PIN	PISTON	3
4-1	200710	PISTON	STD	3
4-2	200711	PISTON	0.5 MM	3
5	200774	ROD	CONNECTING ASSEMBLY	3
6	200773	BUSHING	CONNECTING ROD	3
7-1	200776	BEARING SET	CONNECTING ROD, STD	3
7-2	200777	BEARING SET	CONNECTING ROD, 0.2MM	3
7-3	200778	BEARING SET	CONNECTING ROD, 0.4MM	3
8	200775	BOLT	CONNECTING ROD	6
9-1	200783	BEARING SET	MAIN STD	2
9-2	200789	BEARING SET	MAIN 0.2MM	2
9-3	200790	BEARING SET	MAIN 0.4MM	2
10-1	301780	THRUSTWASHER	STD	2
10-2	302613	THRUSTWASHER	0.2MM	2
10-3	302542	THRUSTWASHER	0.4MM	2
11-1	200784	BEARING SET	MAIN STD	1
11-2	200785	BEARING SET	MAIN 0.2MM	1
11-3	200786	BEARING SET	MAIN 0.4MM	1
12-1	302612	THRUSTWASHER	STD	2
12-2	200676	THRUSTWASHER	0.2MM	2
12-3	200677	THRUSTWASHER	0.4MM	2
13	302470	BALL	1/4	3
14	200781	BUSHING	CRANKSHAFT	1
15-1	200732	CRANKSHAFT	ASSEMBLY - INCLUDES REF #'S 13, 14, 16 - 19	1
16	200895	KEY	WOODRUFF	1
17-1	200782	BEARING SET	MAIN STD	1
17-2	200787	BEARING SET	MAIN 0.2MM	1
17-3	200788	BEARING SET	MAIN 0.4MM	1
18	200791	GEAR	CRANKSHAFT	1
19	200800	GEAR	OIL PUMP	1
20	200628	O-RING		1
21	200780	COLLAR	CRANKSHAFT	1
22	200739	BOLT	BEARING CASE	4
23	200870	CASE	ASSEMBLY, MAIN BEARING	1
24	200869	CASE	ASSEMBLY, MAIN BEARING	1
25	200740	BOLT	BEARING CASE	2
26	200738	SEAL	OIL	1
27-1	018804	CAPSCREW	M 6 X 20 DIN 933	9
27-2	031783	LOCKWASHER	M 6 DIN 127	9
28-1	020628	CAPSCREW	M 6 X 25 DIN 933	8
28-2	031783	LOCKWASHER	M 6 DIN 127	8
29	200742	COVER	BEARING CASE	1
30	200860	GASKET	BEARING COVER	1
31	200859	GASKET	BEARING CASE	1
32	200739	BOLT	BEARING CASE	2
33	200736	CASE	ASSEMBLY, MAIN BEARING	1

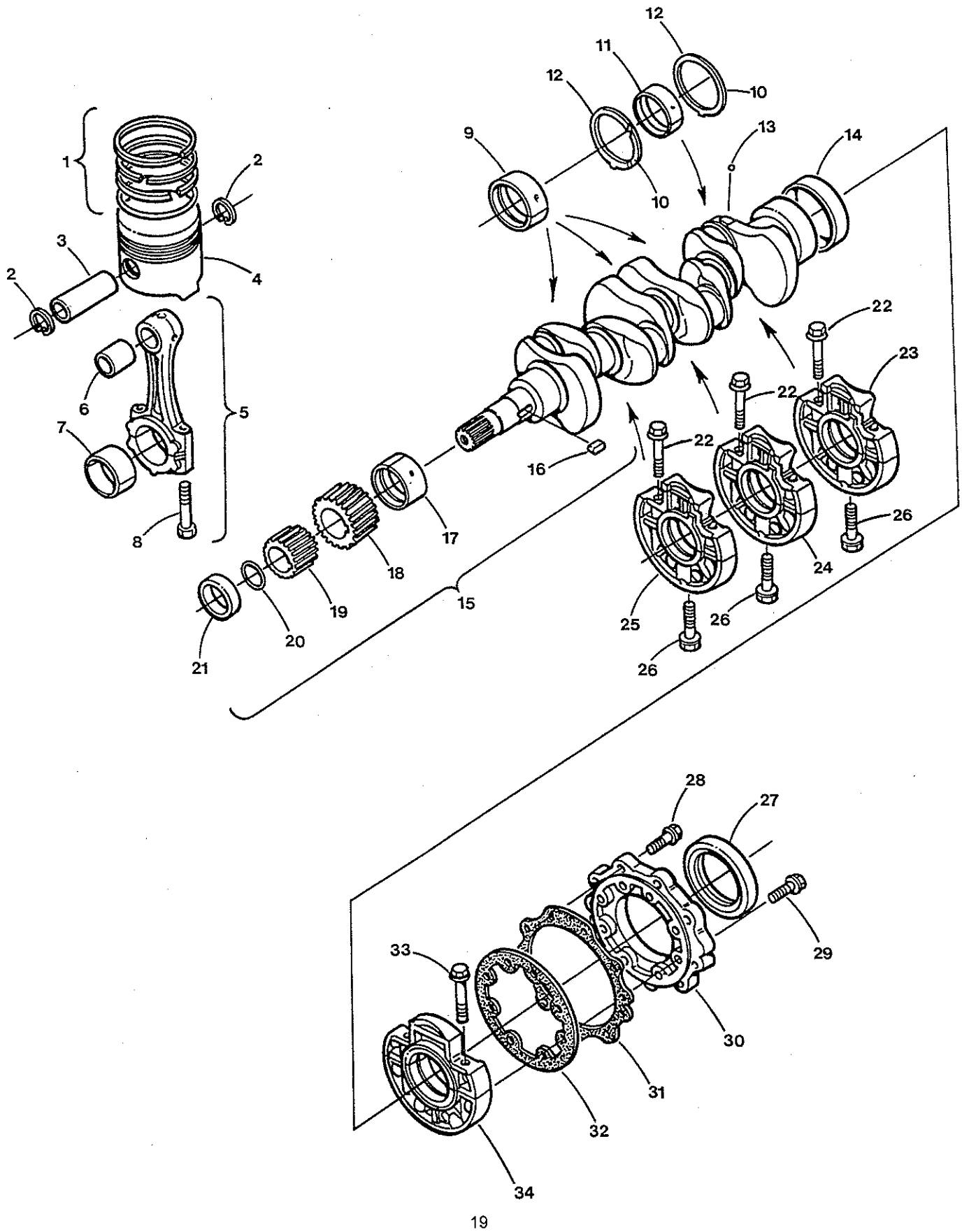
PISTONS, CRANKSHAFT AND MAIN BEARINGS - M-35B / M-40B



PISTONS, CRANKSHAFT AND MAIN BEARINGS - M-35B / M-40B

Reference #	Part #	Part Name	Remarks	Quantity
1-1	200875	RING SET	STD - M-35B	4
1-2	200851	RING SET	STD - M-40B	4
1-3	200876	RING SET	0.5 MM - M-35B	4
1-4	200852	RING SET	0.5 MM - M-40B	4
2	200772	RING	RETAINING	8
3	200771	PIN	PISTON	4
4-1	200710	PISTON	STD - M-35B	4
4-2	200713	PISTON	STD - M-40B	4
4-3	200711	PISTON	0.5 MM - M-35B	4
4-4	200714	PISTON	0.5 MM - M-40B	4
5	200774	ROD	CONNECTING ASSEMBLY	4
6	200773	BUSHING	CONNECTING ROD	4
7-1	200776	BEARING SET	CONNECTING ROD, STD	4
7-2	200777	BEARING SET	CONNECTING ROD, 0.2MM	4
7-3	200778	BEARING SET	CONNECTING ROD, 0.4MM	4
8	200775	BOLT	CONNECTING ROD	8
9-1	200783	BEARING SET	MAIN STD	3
9-2	200789	BEARING SET	MAIN 0.2MM	3
9-3	200790	BEARING SET	MAIN 0.4MM	3
10-1	301780	THRUSTWASHER	STD	2
10-2	302613	THRUSTWASHER	0.2MM	2
10-3	302542	THRUSTWASHER	0.4MM	2
11-1	200911	BEARING SET	MAIN STD	1
11-2	200785	BEARING SET	MAIN 0.2MM	1
11-3	200786	BEARING SET	MAIN 0.4MM	1
12-1	302612	THRUSTWASHER	STD	2
12-2	200676	THRUSTWASHER	0.2MM	2
12-3	200677	THRUSTWASHER	0.4MM	2
13	302470	BALL	1/4	4
14	200781	BUSHING	CRANKSHAFT	1
15-1	200779	CRANKSHAFT	ASSEMBLY- M-35B INCL. REF #'S 13,14,16-19	1
15-2	200899	CRANKSHAFT	ASSEMBLY- M-40B INCL. REF #'S 13,14,16-19	1
16	200895	KEY	WOODRUFF	1
17-1	200782	BEARING SET	MAIN STD	1
17-2	200787	BEARING SET	MAIN 0.2MM	1
17-3	200788	BEARING SET	MAIN 0.4MM	1
18	200791	GEAR	CRANKSHAFT	1
19	200800	GEAR	OIL PUMP	1
20	200634	O-RING		1
21	200780	COLLAR	CRANKSHAFT	1
22	200739	BOLT	BEARING CASE	6
23-1	200871	CASE	ASSEMBLY, MAIN BEARING - M-35B	1
23-2	200898	CASE	ASSEMBLY, MAIN BEARING - M-40B	1
24-1	200870	CASE	ASSEMBLY, MAIN BEARING - M-35B	1
24-2	200842	CASE	ASSEMBLY, MAIN BEARING - M-40B	1
25-1	200869	CASE	ASSEMBLY, MAIN BEARING - M-35B	1
25-2	200841	CASE	ASSEMBLY, MAIN BEARING - M-40B	1
26	200740	BOLT	BEARING CASE	3
27	200738	SEAL	OIL	1
28-1	018804	CAPSCREW	M 6 X 20 DIN 933	9
28-2	031783	LOCKWASHER	M 6 DIN 127	9
29-1	020628	CAPSCREW	M 6 X 25 DIN 933	8
29-2	031783	LOCKWASHER	M 6 DIN 127	8

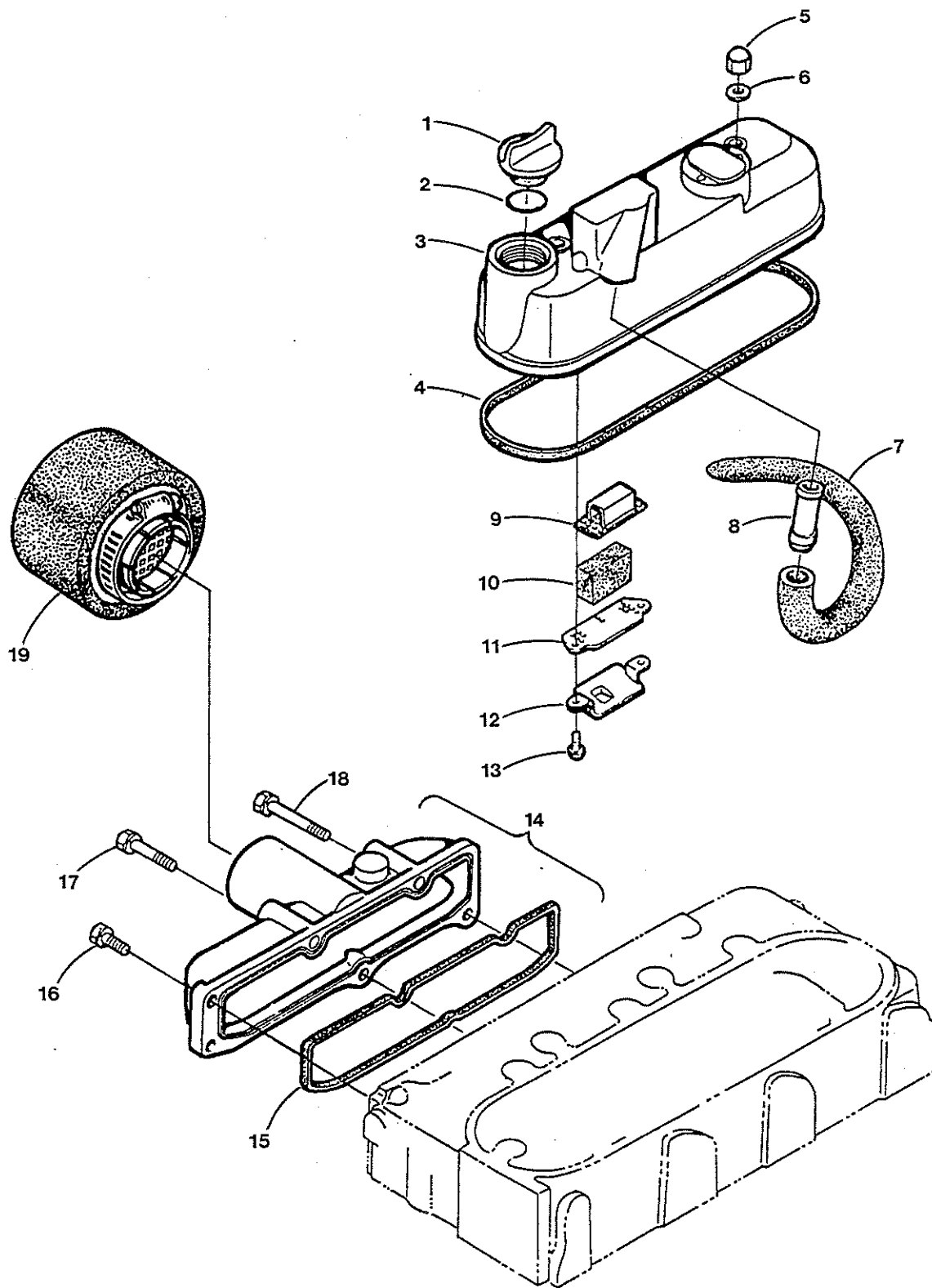
PISTONS, CRANKSHAFT AND MAIN BEARINGS - M-35B / M-40B



PISTONS, CRANKSHAFT AND MAIN BEARINGS - M-35B / M-40B

Reference #	Part #	Part Name	Remarks	Quantity
30	200742	COVER	BEARING CASE	1
31	200860	GASKET	BEARING COVER	1
32	200859	GASKET	BEARING CASE	1
33	200739	BOLT	BEARING CASE	2
34	200736	CASE	ASSEMBLY, MAIN BEARING	1

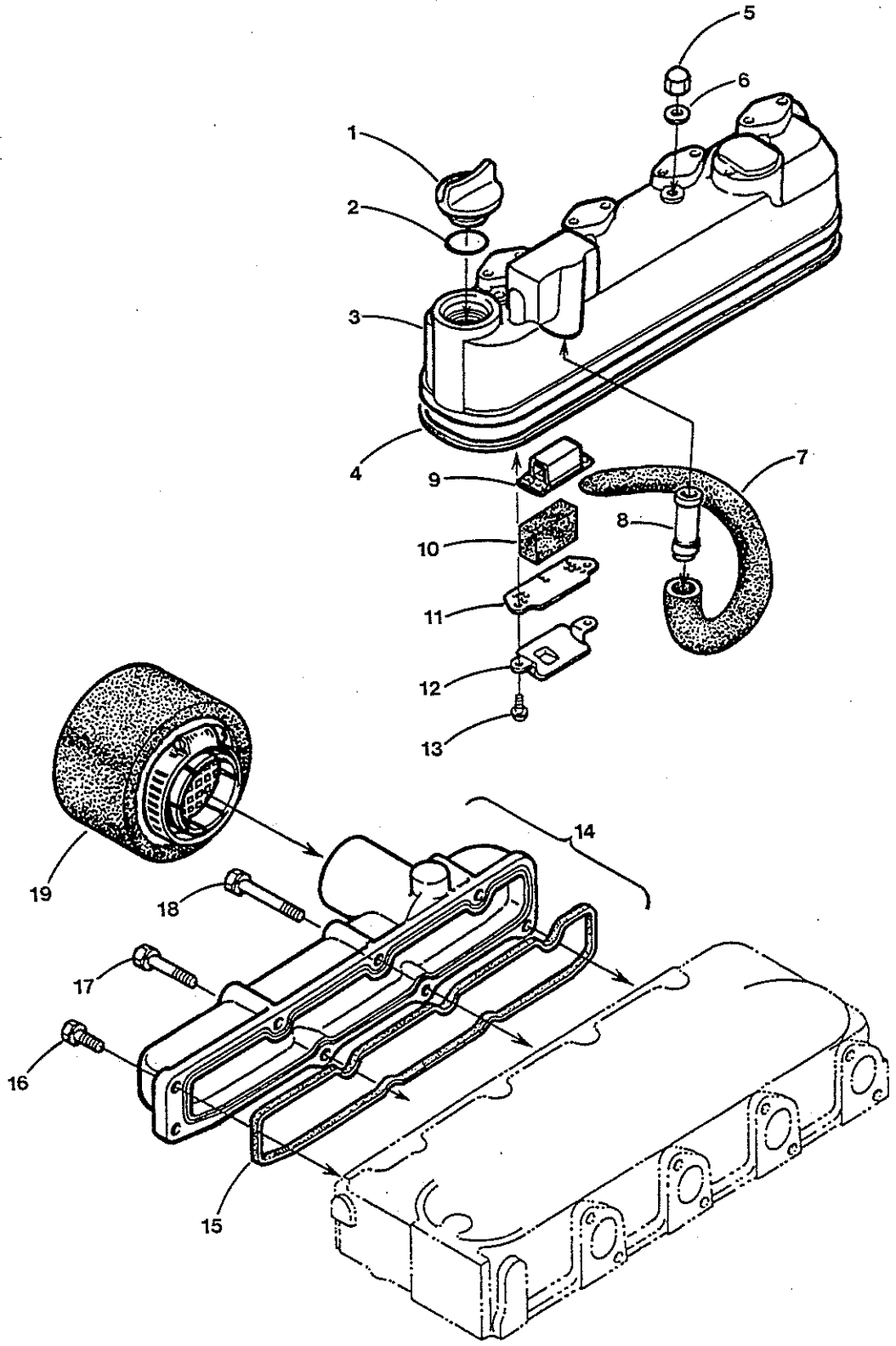
VALVE HEAD COVER AND AIR INTAKE MANIFOLD - M-25XPB



VALVE HEAD COVER AND AIR INTAKE MANIFOLD - M-25XPB

Reference #	Part #	Part Name	Remarks	Quantity
1	302707	CAP	OIL FILTER	1
2	298740	O-RING		1
3	200847	COVER	CYLINDER HEAD, ASSEMBLY	1
4	200848	GASKET	HEAD COVER	1
5	239457	NUT	CAP	3
6	299459	GASKET	ROCKER COVER STUD	3
7	200429	HOSE	BREATHER	1
8	200747	CONNECTOR	BREATHER HOSE	1
9	200744	PLATE	BREATHER ELEMENT	1
10	200748	ELEMENT	BREATHER	1
11	200743	PLATE	BREATHER ELEMENT	1
12	200745	SHIELD	OIL BREATHER	1
13	301399	SCREW	M 5 X 10 W/LW	2
14	200843	MANIFOLD	INTAKE ASSEMBLY	1
15	200844	GASKET	INTAKE MANIFOLD	1
16	043065	CAPSCREW	M 6 X 18 JIS 7 W/LW	3
17	043066	CAPSCREW	M 6 X 30 JIS 7 W/LW	1
18-1	300330	CAPSCREW	M 6 X 50 DIN 931	2
18-2	031783	LOCKWASHER	M 6 DIN 127	2
19	302181	SILENCER	INTAKE	1

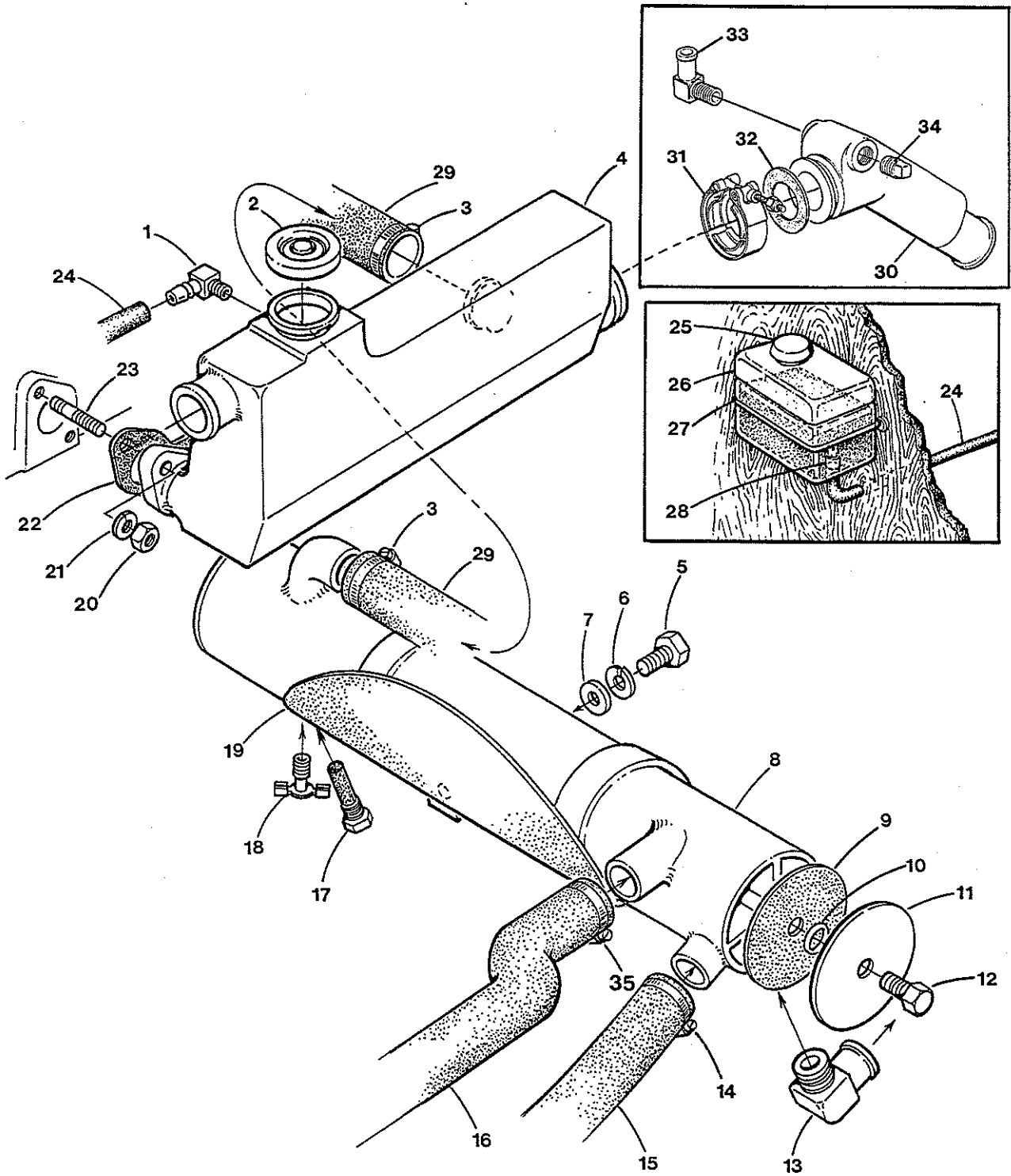
VALVE HEAD COVER AND AIR INTAKE MANIFOLD - M-35B / M-40B



VALVE HEAD COVER AND AIR INTAKE MANIFOLD - M-35B / M-40B

Reference #	Part #	Part Name	Remarks	Quantity
1	302707	CAP	OIL FILTER	1
2	200635	O-RING		1
3	200765	COVER	CYLINDER HEAD, ASSEMBLY	1
4	200766	GASKET	HEAD COVER	1
5	239457	NUT	CAP	4
6	299459	GASKET	ROCKER COVER STUD	4
7	200429	HOSE	BREATHER	1
8	200747	CONNECTOR	BREATHER HOSE	1
9	200744	PLATE	BREATHER ELEMENT	1
10	200748	ELEMENT	BREATHER	1
11	200743	PLATE	BREATHER ELEMENT	1
12	200745	SHIELD	OIL BREATHER	1
13	301399	SCREW	M 5 X 10 W/LW	2
14	200872	MANIFOLD	INTAKE ASSEMBLY	1
15	200749	GASKET	INTAKE MANIFOLD	1
16	043065	CAPSCREW	M 6 X 18 JIS 7 W/LW	3
17	043066	CAPSCREW	M 6 X 30 JIS 7 W/LW	2
18-1	300330	CAPSCREW	M 6 X 50 DIN 931	2
18-2	031783	LOCKWASHER	M 6 DIN 127	2
19	302181	SILENCER	INTAKE	1

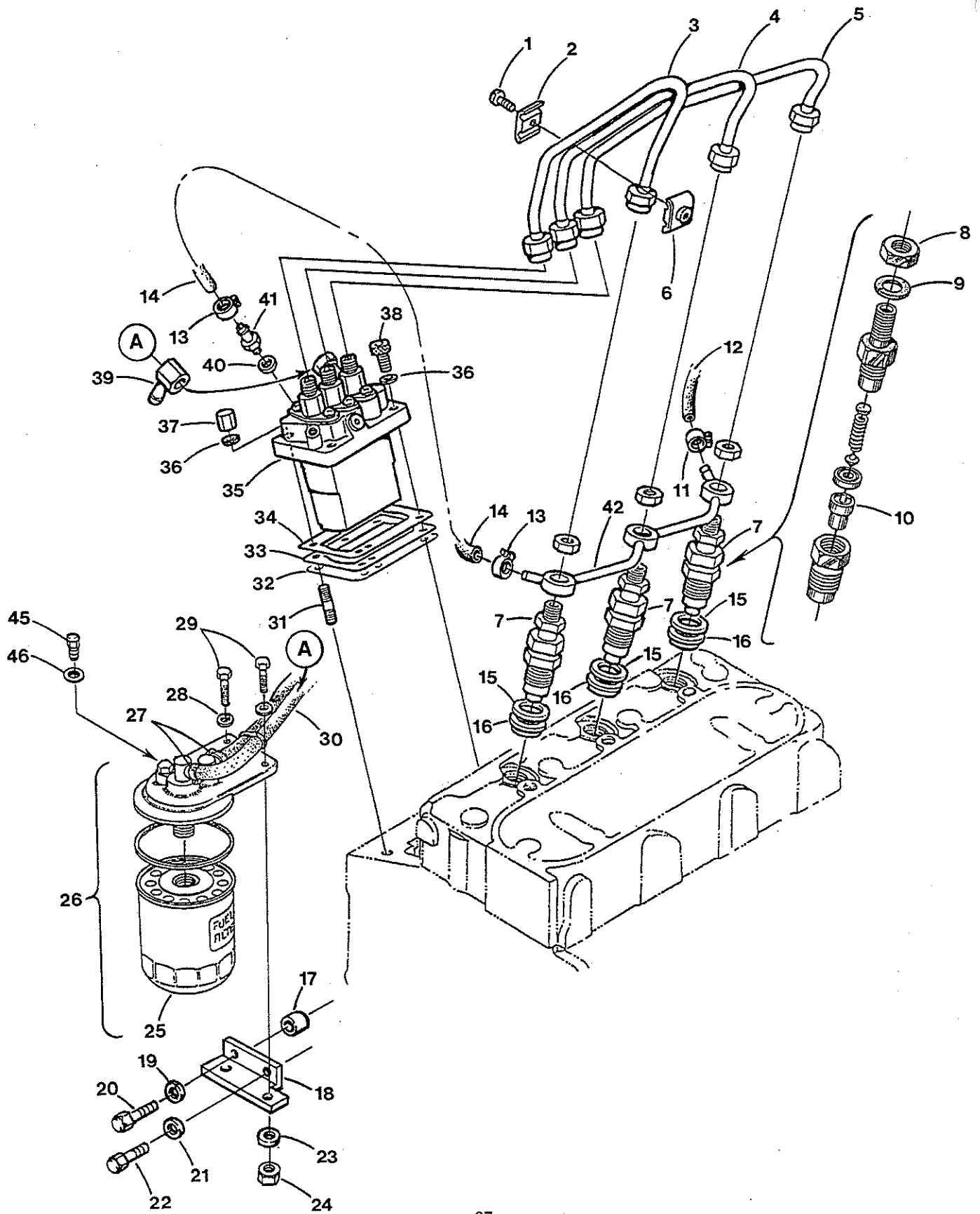
EXHAUST MANIFOLD AND HEAT EXCHANGER - M-25XPB/ M-35B/ M-40B



EXHAUST MANIFOLD AND HEAT EXCHANGER - M-25XPB/ M-35B/ M-40B

Reference #	Part #	Part Name	Remarks	Quantity
1	024907	ELBOW	1/8NPT X 5/16 HOSE	1
2	024306	CAP	PRESSURE 15 PSI	1
3	011405	CLAMP	HOSE 16	2
4-1	201025	MANIFOLD	EXHAUST - M-25XPB	1
4-2	201026	MANIFOLD	EXHAUST - M-35B/M-40B	1
5	018813	CAPSCREW	M 10 X 20 DIN 933	2
6	019262	LOCKWASHER	M 10 DIN 127	2
7	031789	WASHER	M 10 DIN 125	2
8	201027	EXCHANGER	HEAT	1
9	022851	GASKET	EXCHANGER END COVER 2-3/4"	1
10	019321	O-RING	EXCHANGER END COVER 2-3/4"	1
11	022850	COVER	EXCHANGER END	1
12	022852	CAPSCREW	3/8 NC X 3/4 (BRASS)	1
13	036614	ELBOW	HOSE 3/8NPT TO 1	1
14	011386	CLAMP	HOSE 12	1
15	019059	HOSE	7/8 INCH WIRE INSERTED - INCHES REQ'D	26
16-1	200421	HOSE	EXCHANGER TO PUMP - M-25XPB	1
16-2	200439	HOSE	EXCHANGER TO PUMP - M-35B / M-40B	1
17	011885	ZINC		1
18	011471	PETCOCK	1/8NPT EXT SEAT (BRASS)	1
19	303147	PAD	EXCHANGER MOUNT	1
20-1	200446	NUT	M 7 DIN 934 - M-25XPB	6
20-2	200446	NUT	M 7 DIN 934 - M-35B / M-40B	8
21-1	042296	LOCKWASHER	M 7 DIN 127 - M-25XPB	6
21-2	042296	LOCKWASHER	M 7 DIN 127 - M-35B / M-40B	8
22-1	200845	GASKET	EXHAUST MANIFOLD - M-25XPB	1
22-2	200912	GASKET	EXHAUST MANIFOLD - M-35B / M-40B	1
23-1	200432	STUD	M 7 - M-25XPB	6
23-2	200432	STUD	M 7 - M-35B / M-40B	8
24	024637	TUBING	MANIFOLD TO TANK - INCHES REQ'D	72
25	024858	CAP	COOLANT	1
26	024786	STRAP	COOLANT	1
27-1	024977	TANK KIT	INCL REF # 24 THRU 28	1
27-2	024704	TANK	COOLANT RECOVERY	1
28	024906	CLAMP	HOSE 04 MINI	2
29	015774	HOSE	1-1/8 WIRE INSERTED - INCHES REQ'D	11
30-1	200488	KIT	ELBOW, WATER INJ EXHAUST 90 DEG - OPTION	1
30-2	200486	KIT	ELBOW, WATER INJ EXHAUST 45 DEG - OPTION	1
31	036541	CLAMP	EXHAUST ELBOW	1
32	036425	GASKET	EXHAUST ELBOW	1
33-1	036614	ELBOW	HOSE 3/8NPT TO 1 - 90 DEGREE	1
33-2	036616	ELBOW	1/2NPT TO 1" HOSE - 45 DEGREE	1
34-1	036849	PLUG	3/4 NPT SQ HD 90 DEG ELBOW (BRASS)	1
34-2	035747	PLUG	1/2 NPT SQ HD (BRASS)	1
35	021878	CLAMP	HOSE 20	2
36	042289	NAMEPLATE		1
37	031935	SCREW	8-32 X 1/4 SS OVAL HEAD	2

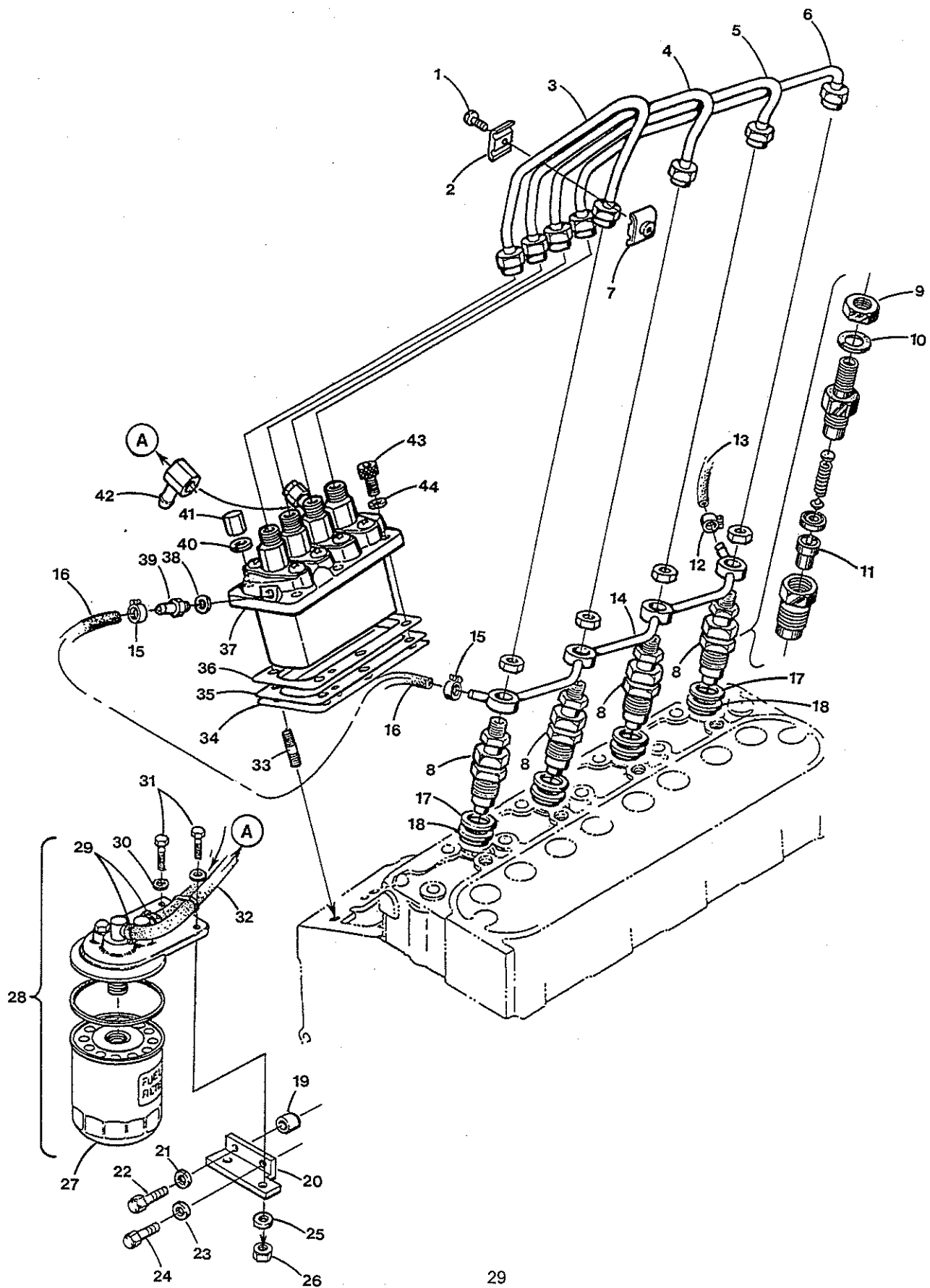
FUEL FILTER, NOZZLE HOLDERS AND INJECTORS - M-25XPB



FUEL FILTER, NOZZLE HOLDERS AND INJECTORS - M-25XPB

Reference #	Part #	Part Name	Remarks	Quantity
1	298794	SCREW	M 5 X 20 PHILLIPS HD W/LW	2
2	301307	CLAMP	FUEL LINE	2
3	200880	LINE	INJECTOR 1	1
4	200881	LINE	INJECTOR 2	1
5	200882	LINE	INJECTOR 3	1
6	301306	CLAMP	FUEL LINE	2
7	200701	INJECTOR		3
8	200703	NUT	INJECTOR LEAK-OFF	3
9	200704	WASHER	INJECTOR	3
10	200702	NOZZLE	INJECTOR	3
11	040384	CLAMP	HOSE, MINI	1
12	036869	HOSE	FUEL, 3/16 ID - INCHES REQ'D	7
13	040622	CLAMP	HOSE, MINI	2
14	301299	LINE	RETURN	1
15	301303	GASKET	INJECTOR	3
16	200617	SHIELD	HEAT INJECTOR	3
17	042225	SPACER		1
18	300103	BRACKET	FUEL FILTER	1
19	031786	LOCKWASHER	M 8 DIN 127	1
20	017196	CAPSCREW	M 8 X 20 DIN 933	1
21	019262	LOCKWASHER	M 10 DIN 127	1
22	024952	CAPSCREW	M 10 X 1.25 X 25 DIN 961	1
23	031758	LOCKWASHER	SPLIT, 5/16 MED (STEEL)	2
24	031756	NUT	HEX 5/16-18 NC (STEEL ZINC)	2
25	298854	FILTER	FUEL	1
26	298853	FILTER	FUEL ASSEMBLY	1
27	017298	CLAMP	HOSE	2
28	031759	WASHER	FLAT, 5/16 SAE (STEEL)	2
29	031555	CAPSCREW	5/16NC X 1	2
30	039140	HOSE	FUEL, 5/16 ID - INCHES REQ'D	10
31	301312	STUD	INJECTION PUMP	2
32	200575	SHIM	INJECTION PUMP .30MM	1
33	200574	SHIM	INJECTION PUMP .25MM	1
34	200573	SHIM	INJECTION PUMP .20MM	1
35	200698	PUMP	INJECTION ASSEMBLY	1
36	031783	LOCKWASHER	M 6 DIN 127	4
37	301313	NUT	CAP	2
38	039874	CAPSCREW	M 6 X 20 DIN 912	2
39	200834	BANJO	INJECTION PUMP	1
40	301241	GASKET		1
41	301300	SCREW	BLEED	1
42	200853	LINE	INJECTOR RETURN	1
45	299855	SCREW	BLEED	1
46	299856	O-RING		1

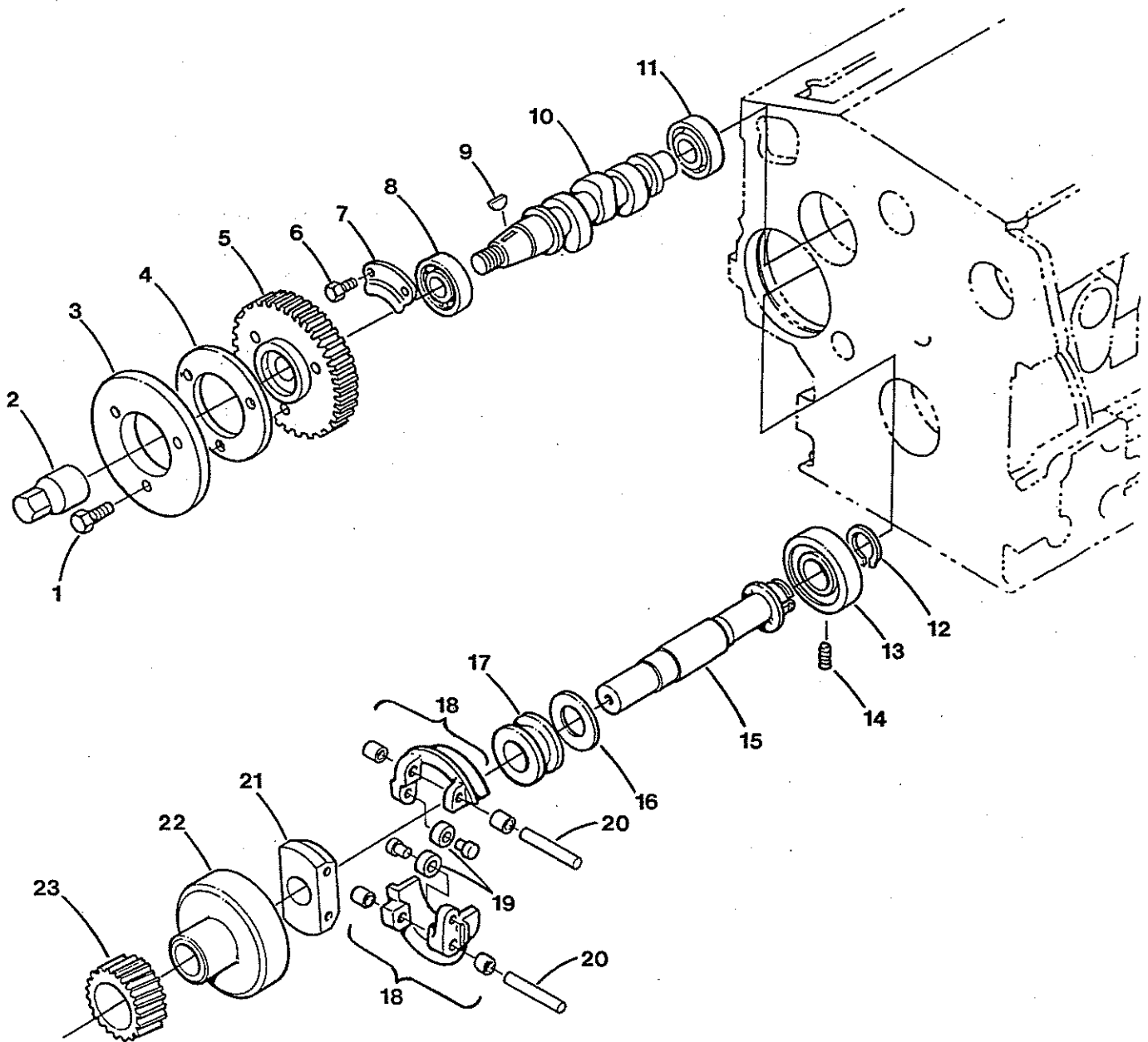
FUEL FILTER, NOZZLE HOLDERS AND INJECTORS - M-35B / M-40B



FUEL FILTER, NOZZLE HOLDERS AND INJECTORS - M-35B / M-40B

Reference #	Part #	Part Name	Remarks	Quantity
1	298794	SCREW	M 5 X 20 PHILLIPS HD W/LW	3
2	301307	CLAMP	FUEL LINE	3
3	200880	LINE	INJECTOR 1	1
4	200881	LINE	INJECTOR 2	1
5	200882	LINE	INJECTOR 3	1
6	200883	LINE	INJECTOR 4	1
7	301306	CLAMP	FUEL LINE	3
8	200701	INJECTOR		4
9	200703	NUT	INJECTOR LEAK-OFF	4
10	200704	WASHER	INJECTOR	4
11	200702	NOZZLE	INJECTOR	4
12	040384	CLAMP	HOSE, MINI	1
13	036869	HOSE	FUEL, 3/16 ID - INCHES REQ'D	7
14	200879	LINE	INJECTOR RETURN	1
15	040622	CLAMP	HOSE, MINI	2
16	301299	LINE	RETURN	1
17	301303	GASKET	INJECTOR	4
18	200617	SHIELD	HEAT INJECTOR	4
19	042225	SPACER		1
20	300103	BRACKET	FUEL FILTER	1
21	031786	LOCKWASHER	M 8 DIN 127	1
22	017196	CAPSCREW	M 8 X 20 DIN 933	1
23	019262	LOCKWASHER	M 10 DIN 127	1
24	024952	CAPSCREW	M 10 X 1.25 X 25 DIN 961	1
25	031758	LOCKWASHER	SPLIT, 5/16 MED (STEEL)	2
26	031756	NUT	HEX 5/16-18 NC (STEEL ZINC)	2
27	298854	FILTER	FUEL	1
28	298853	FILTER	FUEL ASSEMBLY	1
29	017298	CLAMP	HOSE	2
30	031759	WASHER	FLAT, 5/16 SAE (STEEL)	2
31	031555	CAPSCREW	5/16NC X 1	2
32	039140	HOSE	FUEL, 5/16 ID - INCHES REQ'D	21
33	301312	STUD	INJECTION PUMP	3
34	200708	SHIM	INJECTION PUMP .30MM	1
35	200707	SHIM	INJECTION PUMP .25MM	1
36	200706	SHIM	INJECTION PUMP .20MM	1
37	200715	PUMP	INJECTION ASSEMBLY	1
38	301241	GASKET		1
39	301300	SCREW	BLEED	1
40	031783	LOCKWASHER	M 6 DIN 127	6
41	301313	NUT	CAP	3
42	200834	BANJO	INJECTION PUMP	1
43	039874	CAPSCREW	M 6 X 20 DIN 912	3
44	031783	LOCKWASHER	M 6 DIN 127	6
45	299855	SCREW	BLEED	1
46	299856	O-RING		1

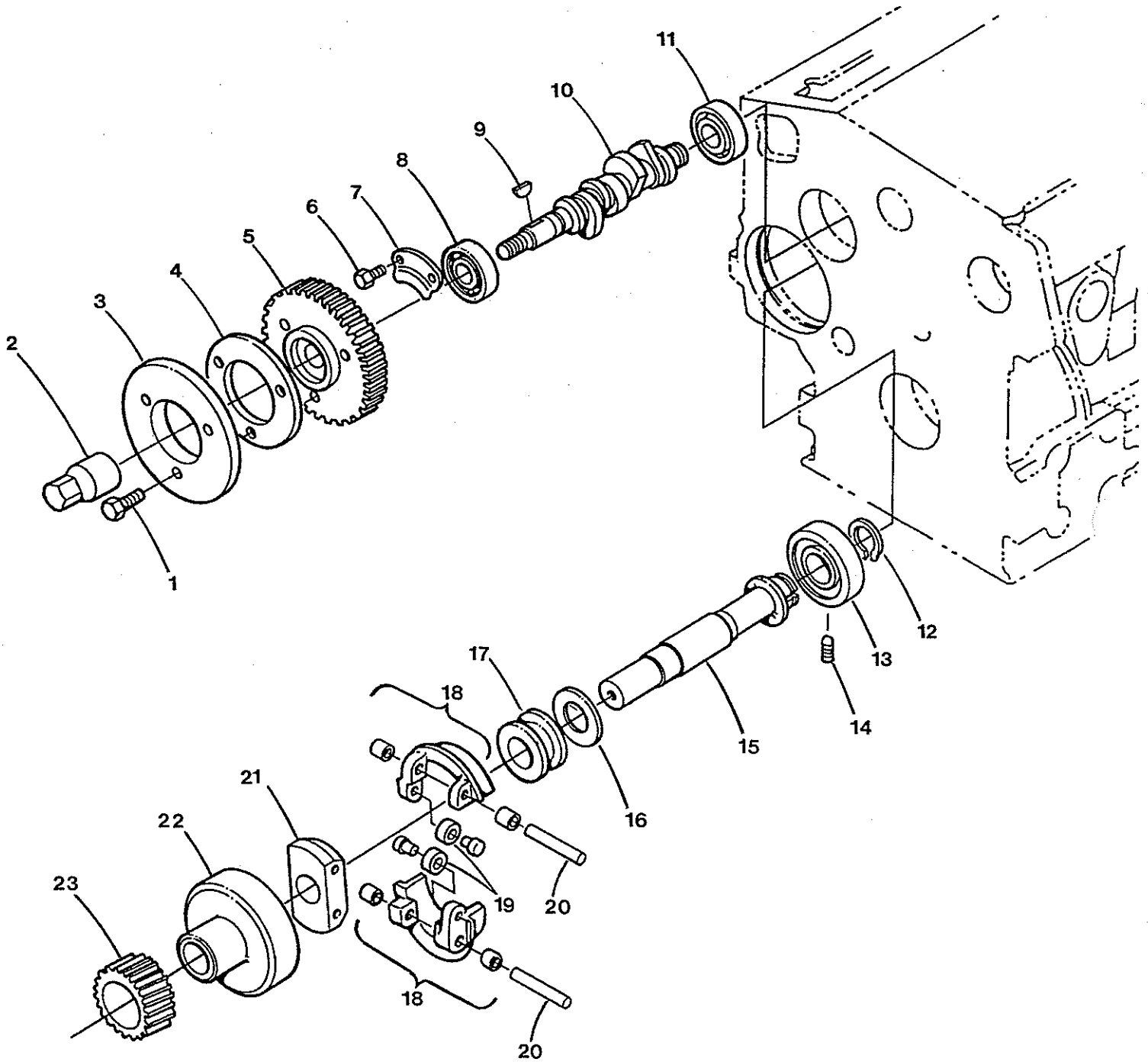
FUEL CAMSHAFT AND GOVERNOR SHAFT - M-25XPB



FUEL CAMSHAFT AND GOVERNOR SHAFT - M-25XPB

Reference #	Part #	Part Name	Remarks	Quantity
1	043065	CAPSCREW	M 6 X 18 JIS 7 W/LW	3
2	200831	NUT	CAP	1
3	200803	CAM	FUEL	1
4	200804	WASHER	INJECTION PUMP DRIVE GEAR	1
5	200897	GEAR	INJECTION PUMP	1
6	035785	CAPSCREW	M 6 X 12 JIS 6 W/LW	2
7	200769	STOPPER	FUEL CAMSHAFT	1
8	200646	BEARING	BALL	1
9	200833	KEY	WOODRUFF	1
10	200696	CAMSHAFT	FUEL	1
11	200645	BEARING	BALL	1
12	200886	RING	RETAINING (EXTERNAL)	1
13	200644	BEARING	BALL	1
14	200812	SETSCREW	ASSEMBLY	1
15	200866	SHAFT	GOVERNOR, ASSY - INCLUDES REF #'S 16-23	1
16	200811	THRUSTWASHER		1
17	200810	SLEEVE	GOVERNOR	1
18	200806	WEIGHT	GOVERNOR ASSEMBLY	2
19	201002	ROLLER	GOVERNOR	2
20	200807	SHAFT	GOVERNOR WEIGHT	2
21	200808	HOLDER	GOVERNOR WEIGHT	1
22	200809	HOLDER	GOVERNOR GEAR	1
23	200904	GEAR	GOVERNOR	1

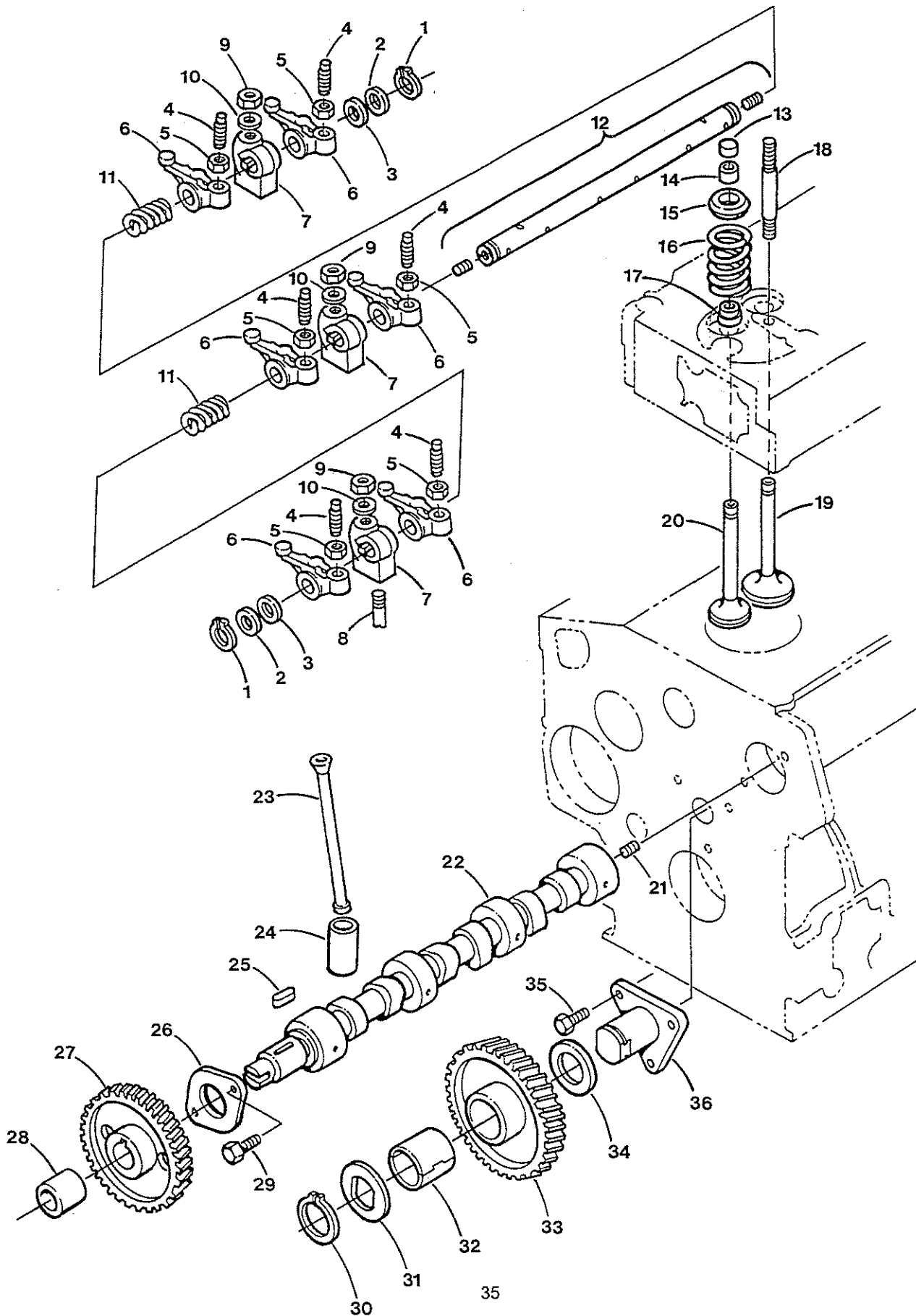
FUEL CAMSHAFT AND GOVERNOR SHAFT - M-35B / M-40B



FUEL CAMSHAFT AND GOVERNOR SHAFT - M-35B / M-40B

Reference #	Part #	Part Name	Remarks	Quantity
1	043065	CAPSCREW	M 6 X 18 JIS 7 W/LW	3
2	200831	NUT	CAP	1
3	200803	CAM	FUEL	1
4	200804	WASHER	INJECTION PUMP DRIVE GEAR	1
5	200897	GEAR	INJECTION PUMP	1
6	035785	CAPSCREW	M 6 X 12 JIS 6 W/LW	2
7	200769	STOPPER	FUEL CAMSHAFT	1
8	200646	BEARING	BALL	1
9	200833	KEY	WOODRUFF	1
10	200705	CAMSHAFT	FUEL	1
11	200645	BEARING	BALL	1
12	200886	RING	RETAINING (EXTERNAL)	1
13	200644	BEARING	BALL	1
14	200812	SETSCREW		1
15-1	200903	SHAFT	GOVERNOR ASSY-INCL REF#S 15-2 THRU 23	1
15-2	200884	SHAFT	GOVERNOR	1
16	200811	THRUSTWASHER		1
17	200810	SLEEVE	GOVERNOR	1
18	200806	WEIGHT	GOVERNOR ASSEMBLY	2
19	201002	ROLLER	GOVERNOR	2
20	200807	SHAFT	GOVERNOR WEIGHT	2
21	200808	HOLDER	GOVERNOR WEIGHT	1
22	200809	HOLDER	GOVERNOR GEAR	1
23	200904	GEAR	GOVERNOR	1

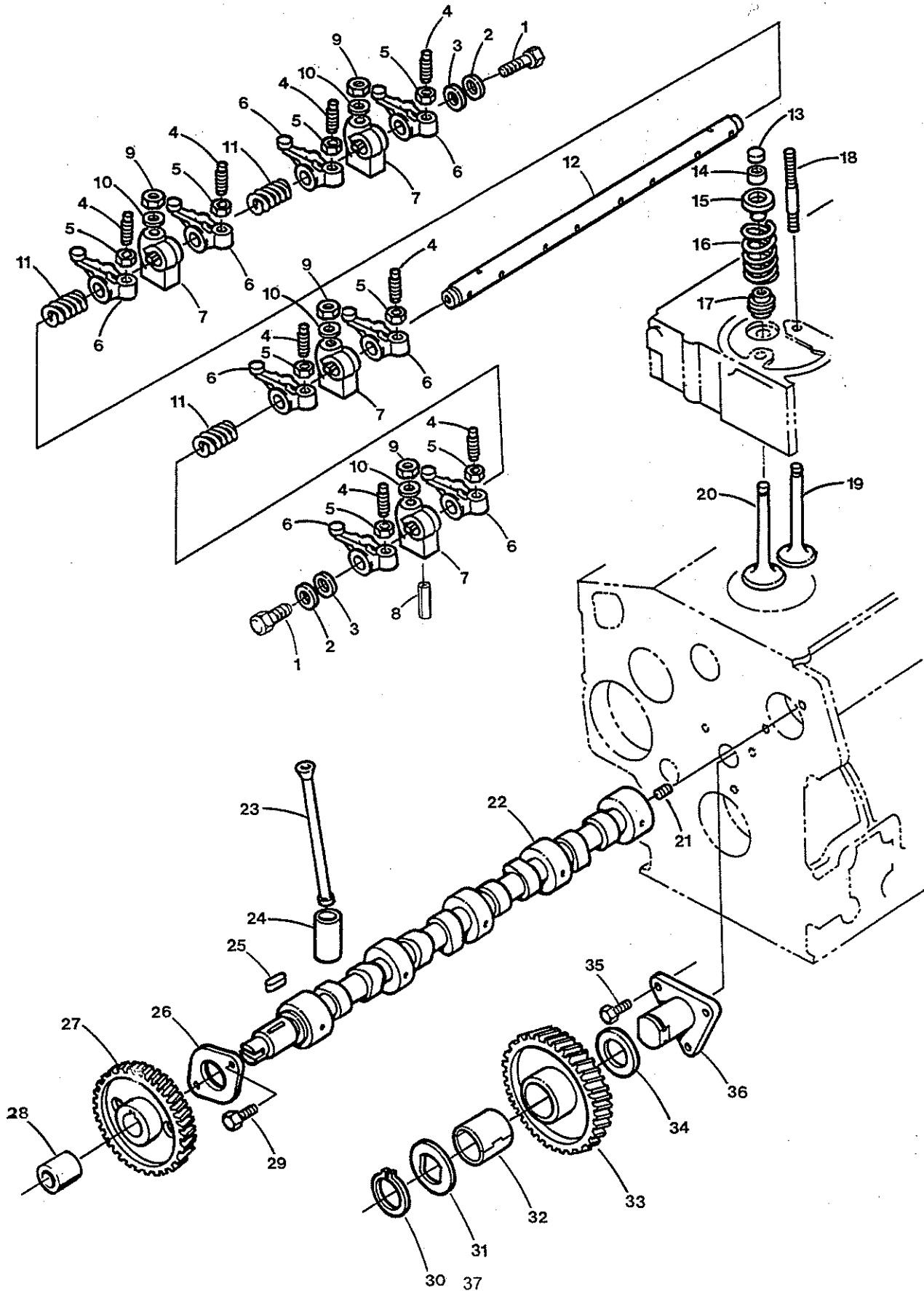
VALVES, ROCKER ARMS AND CAMSHAFTS - M-25XPB



VALVES, ROCKER ARMS AND CAMSHAFTS - M-25XPB

Reference #	Part #	Part Name	Remarks	Quantity
1	200626	RING	RETAINING (EXTERNAL)	2
2	200764	WASHER	ROCKER ARM SHAFT	2
3	200763	WASHER	ROCKER ARM SHAFT	2
4	200757	SCREW	ADJUSTING	6
5	200758	NUT	ROCKER ARM	6
6	200755	ROCKER ARM	ASSEMBLY - INCLUDES REF #'S 4 & 5	6
7	200761	BRACKET	ROCKER ARM	3
8	299447	SETSCREW	ROCKER ARM	1
9	299446	NUT	ROCKER BRACKET	3
10	300156	WASHER	ROCKER BRACKET	3
11	200760	SPRING	ROCKER SHAFT	2
12	200846	SHAFT	ROCKER ARM ASSY-INCLUDES SETSCREW	0
13	299442	CAP	VALVE	6
14	299440	COLLET	VALVE SPRING	6
15	302453	SEAT	VALVE SPRING UPPER	6
16	200873	SPRING	VALVE	6
17	200647	SEAL	VALVE STEM	6
18	299445	STUD	ROCKER BRACKET	3
19	200750	VALVE	INLET	3
20	200751	VALVE	EXHAUST	3
21	301713	SETSCREW		1
22	200850	CAMSHAFT	ASSEMBLY - INCLUDES REF #'S 21,25-27 & 29	0
23	200767	PUSHROD		6
24	200849	TAPPET		6
25	301568	KEY	WOODRUFF	1
26	200768	STOPPER	CAMSHAFT	1
27	200770	GEAR	CAMSHAFT	1
28	044497	SLEEVE	RAW WATER PUMP	1
29	035799	CAPSCREW	M 6 X 14 JIS W/LW	2
30	200793	RING	RETAINING (EXTERNAL)	1
31	200795	THRUSTWASHER	IDLER GEAR	1
32	200878	BUSHING	IDLER GEAR	1
33	200877	GEAR	IDLER ASSEMBLY - INCLUDES REF # 32	0
34	200794	THRUSTWASHER	IDLER GEAR	1
35	035800	CAPSCREW	M 6 X 16 JIS 6 W/ LW	3
36	200792	SHAFT	IDLER GEAR	1

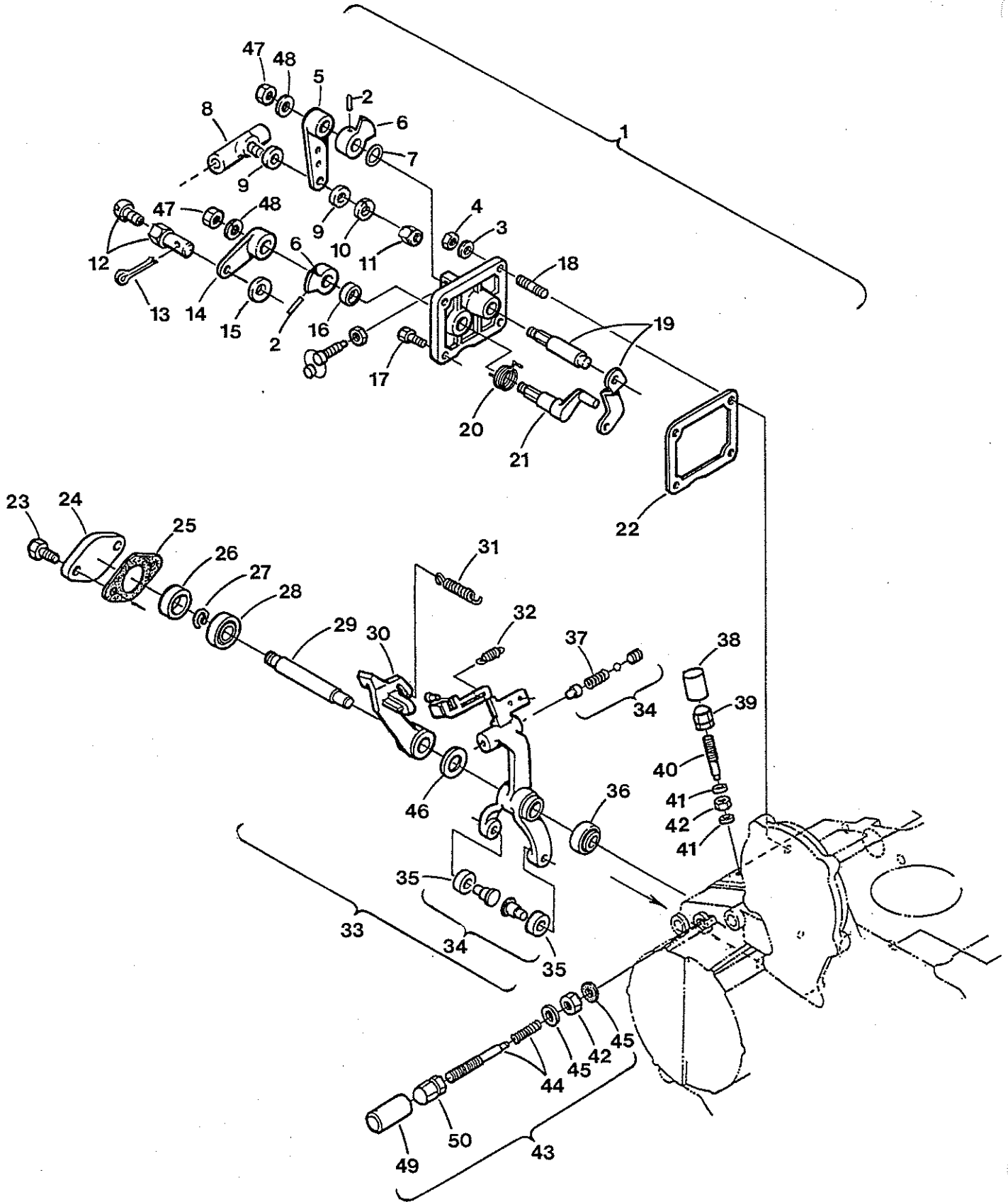
VALVES, ROCKER ARMS AND CAMSHAFTS - M-35B / M-40B



VALVES, ROCKER ARMS AND CAMSHAFTS - M-35B / M-40B

Reference #	Part #	Part Name	Remarks	Quantity
1	301256	CAPSCREW	M 6 X 10 JIS W/LW	2
2	301255	WASHER	PLAIN	2
3	200763	WASHER	ROCKER ARM SHAFT	2
4	200757	SCREW	ADJUSTING	8
5	200758	NUT	ROCKER ARM	8
6	200756	ROCKER ARM	ASSEMBLY - INCLUDES REF #S 4 & 5	8
7	200761	BRACKET	ROCKER ARM	4
8	200637	PIN	SPRING	1
9	299446	NUT	ROCKER BRACKET	4
10	300156	WASHER	ROCKER BRACKET	4
11	200760	SPRING	ROCKER SHAFT	3
12	200759	SHAFT	ROCKER ARM	1
13	299442	CAP	VALVE	8
14	299440	COLLET	VALVE SPRING	8
15	302453	SEAT	VALVE SPRING UPPER	8
16	200873	SPRING	VALVE	8
17	200647	SEAL	VALVE STEM	8
18	299445	STUD	ROCKER BRACKET	4
19	200751	VALVE	EXHAUST	4
20	200750	VALVE	INLET	4
21	301713	SETSCREW		1
22	200874	CAMSHAFT	ASSEMBLY - INCLUDES REF #S 21, 25-27 & 29	1
23	200767	PUSHROD		8
24	200849	TAPPET		8
26	200768	STOPPER	CAMSHAFT	1
27	200770	GEAR	CAMSHAFT	1
28	044497	SLEEVE	RAW WATER PUMP	1
29	035799	CAPSCREW	M 6 X 14 JIS W/LW	2
30	200793	RING	RETAINING (EXTERNAL)	1
31	200795	THRUSTWASHER	IDLER GEAR	1
32	200878	BUSHING	IDLER GEAR	1
33	200877	GEAR	IDLER ASSEMBLY - INCLUDES REF # 32	0
34	200794	THRUSTWASHER	IDLER GEAR	1
35	035800	CAPSCREW	M 6 X 16 JIS 6 W/ LW	3
36	200792	SHAFT	IDLER GEAR	1

THROTTLE AND GOVERNOR ASSEMBLIES



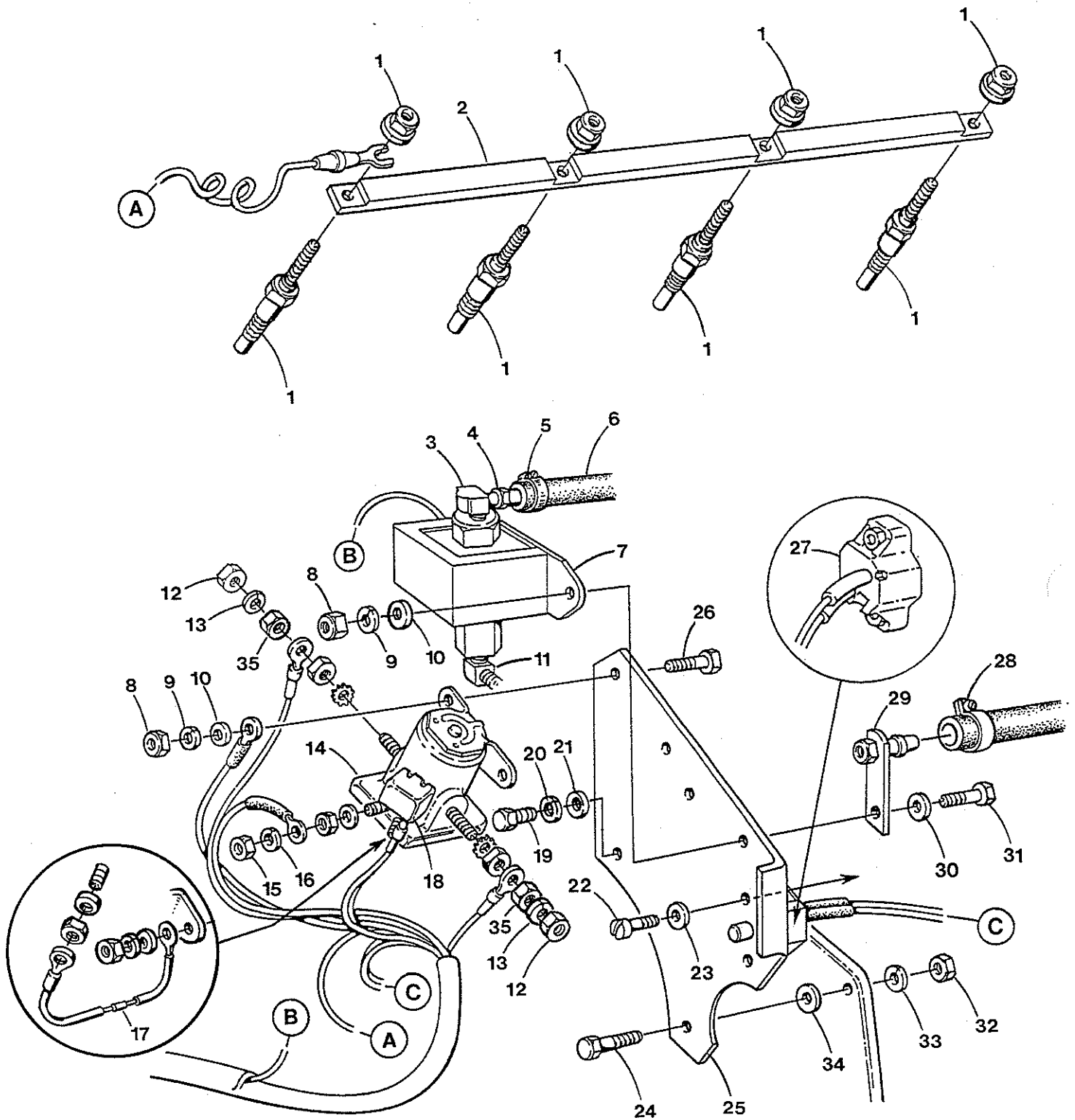
THROTTLE AND GOVERNOR ASSEMBLIES

Reference #	Part #	Part Name	Remarks	Quantity
1-1	200890	LEVER	THROTTLE ASSY-M-25XPB-REF# 2-7,14,16,19-21	1
1-2	200914	LEVER	THROTTLE ASSY-M35/40B-REF# 2-7,14,16,19-21	1
2	301498	PIN	SPRING	2
3	015812	NUT	M 6 DIN 934	2
4	031783	LOCKWASHER	M 6 DIN 127	2
5	200891	LEVER	THROTTLE	1
6	200818	LEVER	THROTTLE	1
7-1	298680	O-RING	M-25XPB	1
7-2	200630	O-RING	M-35B / M-40B	1
8	033482	BALLJOINT	1/4" NF MALE 10-32 FEM	1
9	031753	WASHER	FLAT, 1/4" SAE (STEEL)	2
10	031752	LOCKWASHER	SPLIT 1/4 MED (STEEL)	1
11	031754	NUT	1/4-28 NF HEX (STEEL ZINC)	1
12	299864	PIVOT	STOP LEVER	1
13	011796	PIN	COTTER, 1/16 X 1/2	1
14	200892	LEVER	ENGINE STOP	1
15	031784	WASHER	M 6 DIN 125	1
16	200673	SEAL	OIL	1
17-1	035800	CAPSCREW	M 6 X 16 JIS 6 W/ LW - M-25XPB	2
17-2	038500	CAPSCREW	M 6 X 16 JIS W/LW - M-35B / M-40B	1
17-3	299365	CAPSCREW	M 6 X 18 JIS - M-35B / M-40B	1
17-4	301241	GASKET	M-35B / M-40B	1
18-1	301507	STUD	M-25XPB	2
18-2	200839	STUD	M-35B / M-40B	2
19	200887	LEVER	GOVERNOR ASSEMBLY	1
20	200727	SPRING	RETURN	1
21	200893	SHAFT	STOP LEVER	1
22	200862	GASKET	THROTTLE LEVER PLATE	1
23	035799	CAPSCREW	M 6 X 14 JIS W/LW	2
24	200815	COVER	FORK LEVER SHAFT	1
25	200913	GASKET	GOVERNOR COVER	1
26	200814	COLLAR		1
27	200625	RING	RETAINING (EXTERNAL)	1
28	200816	BEARING	BALL	1
29	200813	SHAFT	FORK LEVER	1
30-1	200888	LEVER	FORK - M-25XPB	1
30-2	200726	LEVER	FORK - M-35B / M-40B	1
31	200909	SPRING	GOVERNOR	1
32-1	200855	SPRING	START - M-25XPB	1
32-2	200889	SPRING	START - M-35B / M-40B	1
33-1	200719	LEVER	GOV ASSY-M-25XPB-INC REF 29,30,34,35,37,46	1
33-2	200720	LEVER	GOV ASSY-M35/40B-INC REF# 29,30,34,35,37,46	1
34-1	200717	LEVER	FORK ASSEMBLY-M-25XPB	1
34-2	200718	LEVER	FORK ASSEMBLY - M-35B / M-40B	1
35	201002	ROLLER	GOVERNOR	2
36	200817	BEARING	BALL	1
37	200716	SPRING	M-25XPB	1
38-1	200721	CAP	IDLE ADJUSTING SCREW - M-25XPB	1
38-2	200648	CAP	LOCK - M-35B/M-40B	1
39	302746	NUT	CAP	1
40	200805	BOLT	ADJUSTING	1
41-1	301241	GASKET	M-25XPB	2
41-2	301241	GASKET	M-35B / M-40B	1

THROTTLE AND GOVERNOR ASSEMBLIES

Reference #	Part #	Part Name	Remarks	Quantity
41-3	200650	WASHER	COPPER - M-35B / M-40B	1
42-1	301581	NUT	HEX - M-25XPB	2
42-2	200649	NUT	LOCKING - M-35B / M-40B	1
42-3	301581	NUT	HEX - M-35B / M-40B	1
43	200907	IDLER	ADJUSTING, ASSEMBLY	1
44	200908	BOLT	ADJUSTING	1
45	301241	GASKET		2
46	201023	WASHER	FORK LEVER	1
47	045545	NUT	M 6 KEPS	2
48	031753	WASHER	1/4 FLAT	2
49	200721	CAP	LOCKING	1
50	302746	NUT	CAP	1

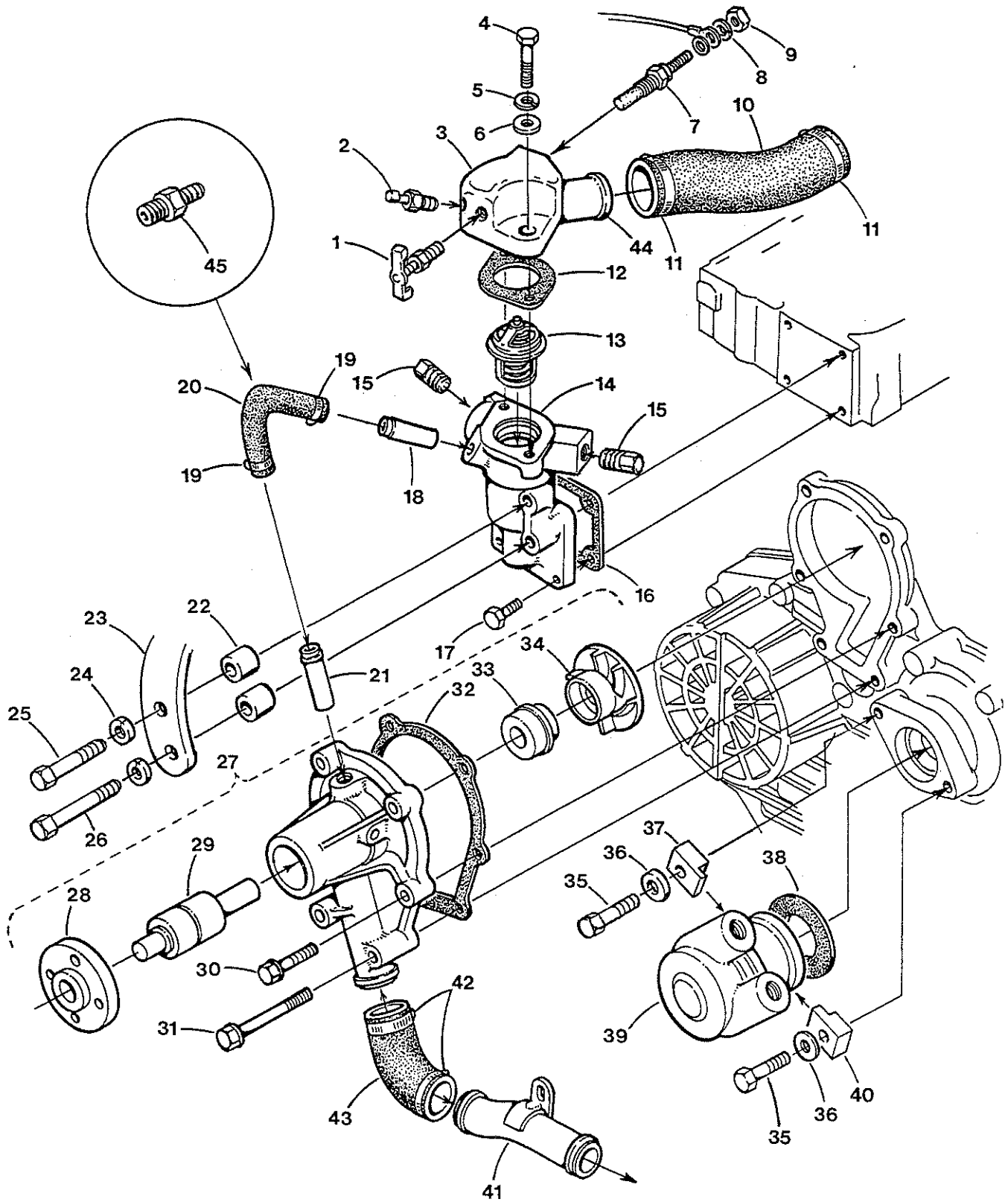
FUEL LIFT PUMP, SOLENOID AND FUEL RETURN



FUEL LIFT PUMP, SOLENOID AND FUEL RETURN

Reference #	Part #	Part Name	Remarks	Quantity
1-1	200595	GLOWPLUG	12VDC - M-25XPB	3
1-2	200595	GLOWPLUG	12VDC - M-35B / M-40B	4
2-1	200856	STRAP	GLOW PLUG CONNECTING - M-25XPB	1
2-2	200894	STRAP	GLOWPLUG CONNECTING - M-35B / M-40B	1
3	022513	ELBOW	ADAPTER	1
4	021485	ADAPTER	5/16 TUBE 1/2-20 MALE SW	1
5	017298	CLAMP	HOSE	1
6-1	039140	HOSE	FUEL,5/16 ID - M-25XPB - INCHES REQ'D	15
6-2	039140	HOSE	FUEL,5/16 ID - M-35B / M-40B - INCHES REQ'D	13
7	039275	PUMP	FUEL LIFT 12VDC	1
8	031750	NUT	HEX,1/4-20 MED (STEEL)	4
9	031752	LOCKWASHER	SPLIT 1/4 MED (STEEL)	4
10	031753	WASHER	FLAT, 1/4" SAE (STEEL)	4
11	013340	ELBOW	1/8 NPT 90 DEG STREET (BRASS)	1
12	031760	NUT	5/16-24 NF HEX (STEEL) ZINC	2
13	031758	LOCKWASHER	SPLIT, 5/16 MED (STEEL)	2
14	024639	SOLENOID	PREHEAT,24VDC	1
15	031847	NUT	HEX,10-32 MACHINE (STAINLESS)	2
16	031849	LOCKWASHER	SPLIT, 10 MED (STAINLESS)	2
17	039806	RESISTOR	ASSEMBLY, PROPULSION ALARM	1
18	036563	BREAKER	CIRCUIT,10 AMP	1
19	024955	CAPSCREW	M 10 X 1.25 X 45 DIN 960	1
20	019262	LOCKWASHER	M 10 DIN 127	1
21	031789	WASHER	M 10 DIN 125	1
22	043480	SCREW	HEX WASHER HD,8-32 X 7/8 SS	2
23	031843	WASHER	FLAT, 8 SS AN960	1
24	018811	CAPSCREW	M 8 X 40 DIN 931	1
25	200258	BRACKET	SOLENOID BREAKER PUMP	1
26	031503	CAPSCREW	1/4 NC X 3/4	3
27	024683	BREAKER	CIRCUIT,20 AMP,12VDC	1
28	040384	CLAMP	HOSE, MINI	1
29	299830	CONNECTOR	FUEL RETURN ASSEMBLY	1
30	031753	WASHER	FLAT, 1/4" SAE (STEEL)	1
31	031505	CAPSCREW	1/4 NC X 1"	1
32	018242	NUT	M 8 DIN 934	1
33	031786	LOCKWASHER	M 8 DIN 127	1
34	042225	SPACER		2
35	031760	NUT	HEX 5/16 NF (STEEL ZINC)	2

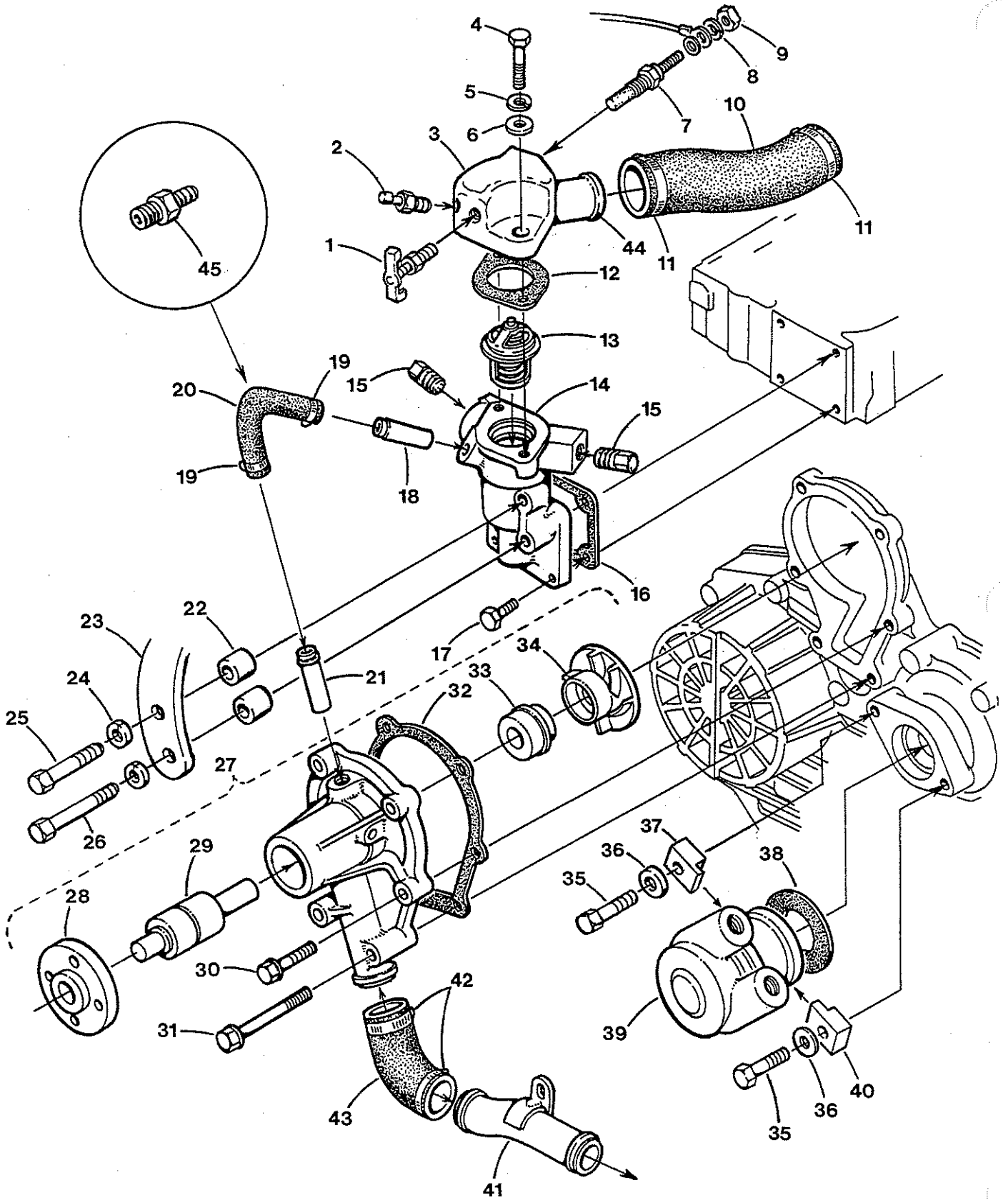
FRESH WATER COOLING SYSTEM



FRESH WATER COOLING SYSTEM

Reference #	Part #	Part Name	Remarks	Quantity
1	011471	PETCOCK	1/8NPT EXT SEAT (BRASS)	1
2	030125	SWITCH	WATER TEMPERATURE ALARM	1
3-1	200422	HOUSING	THERMOSTAT TO MAR 1998 - 38 MM	1
3-2	200502	HOUSING	THERMOSTAT FROM MAR 1998 - 44 MM	1
4-1	035790	CAPSCREW	M 6 X 50 JIS 4 W/LW TO MAR 1998	2
4-2	021558	CAPSCREW	M 8 X 35 DIN 933 FROM MAR 1998	2
5	031786	LOCKWASHER	M 8 DIN 127	2
6-1	031784	WASHER	M 6 DIN 125 TO MAR 1998	2
6-2	031787	WASHER	M 8 DIN 125 FROM MAR 1998	2
7-1	035109	SENDER	WATER TEMPERATURE	1
7-2	019369	PLUG	1/8 NPT	1
7-3	022131	BUSHING	1/4NPT TO 1/8NPT	1
8	031849	LOCKWASHER	10	1
9	031847	NUT	10-32	1
10-1	200428	HOSE	THERM TO MANIFOLD TO MAR 1998	1
10-2	015774	HOSE	1-1/8 WIRE INSERTED FROM MAR 1998	1
11	011405	CLAMP	HOSE 16	2
12-1	300237	GASKET	THERM - 301358 -38 MM - TO MAR 1998	1
12-2	298843	GASKET	THERM - 201001 -44 MM - FROM MAR 1998	1
13-1	301358	THERMOSTAT	160F - 38 MM OD TO MAR 1998	1
13-2	201001	THERMOSTAT	160F - 44 MM OD FROM MAR 1998	1
14-1	200952	HOUSING	LOWER THERM INC #18-38 MM TO MAR 1998	1
14-2	200949	HOUSING	LOWER THERM INC #18-44 MM FROM MAR 1998	1
15	201000	PLUG	HEX HEAD	2
16	200863	GASKET	LOWER THERMOSTAT	1
17	035800	CAPSCREW	M 6 X 16 JIS 6 W/ LW	3
18	200824	NIPPLE	BYPASS	1
19	024906	CLAMP	HOSE 04 MINI	2
20-1	200823	HOSE	THERMOSTAT BYPASS	1
20-2	300236	HOSE	WATER HEATER OPTION	2
21	200822	NIPPLE	WATER PUMP BYPASS	1
22	044098	SPACER		2
23	200438	STRAP	ALTERNATOR ADJUSTING	1
24	031783	LOCKWASHER	M 6 DIN 127	2
25	031824	CAPSCREW	M 6 X 35 DIN 933	1
26	034212	CAPSCREW	M 6 X 75 DIN 931	1
27	200820	PUMP	FRESH WATER	1
28	200826	FLANGE	WATER PUMP PULLEY	1
29	200827	BEARING	WATER PUMP	1
30-1	043066	CAPSCREW	M 6 X 30 JIS 7 W/LOCKWASHER - M-25XPB	4
30-2	041424	CAPSCREW	M 6 X 25 JIS-FLANGE DOG POINT - M-35B/M-40B	4
31-1	034398	CAPSCREW	M 6 X 80 DIN 931	2
31-2	031783	LOCKWASHER	M 6 DIN 127	2
32	200857	GASKET	FRESH WATER PUMP	1
33	200821	SEAL	WATER PUMP	1
34	200825	IMPELLER	WATER PUMP	1
35	020628	CAPSCREW	M 6 X 25 DIN 933	2
36	031783	LOCKWASHER	M 6 DIN 127	2
37	200419	CLAMP	RAW WATER PUMP MOUNT	1
38	302678	GASKET	RAW WATER PUMP MOUNT	1
39	042175	PUMP	RAW WATER	1
40	200418	CLAMP	RAW WATER MOUNT	1
41	200961	LINE	FRESH WATER PUMP	1

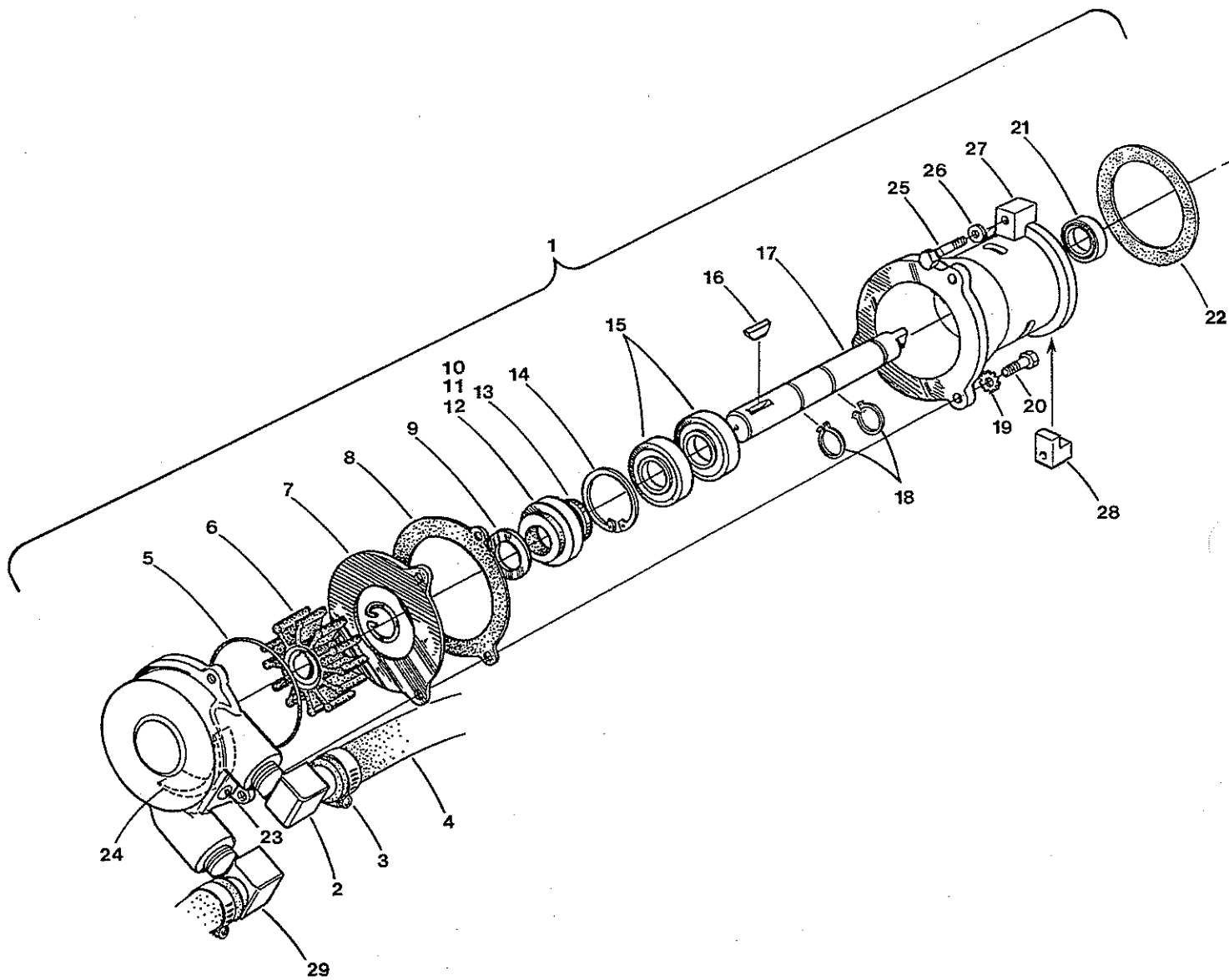
FRESH WATER COOLING SYSTEM



FRESH WATER COOLING SYSTEM

Reference #	Part #	Part Name	Remarks	Quantity
42	011405	CLAMP	HOSE 16	1
43	200819	HOSE	WATER PUMP, IN	1
44	200503	NIPPLE	3/4 NPT X 1-1/8 HOSE HOUSING 200502	1
45	302391	ADAPTER	HOSE 3/8 X 5/8 ID - HEATER OPTION	1

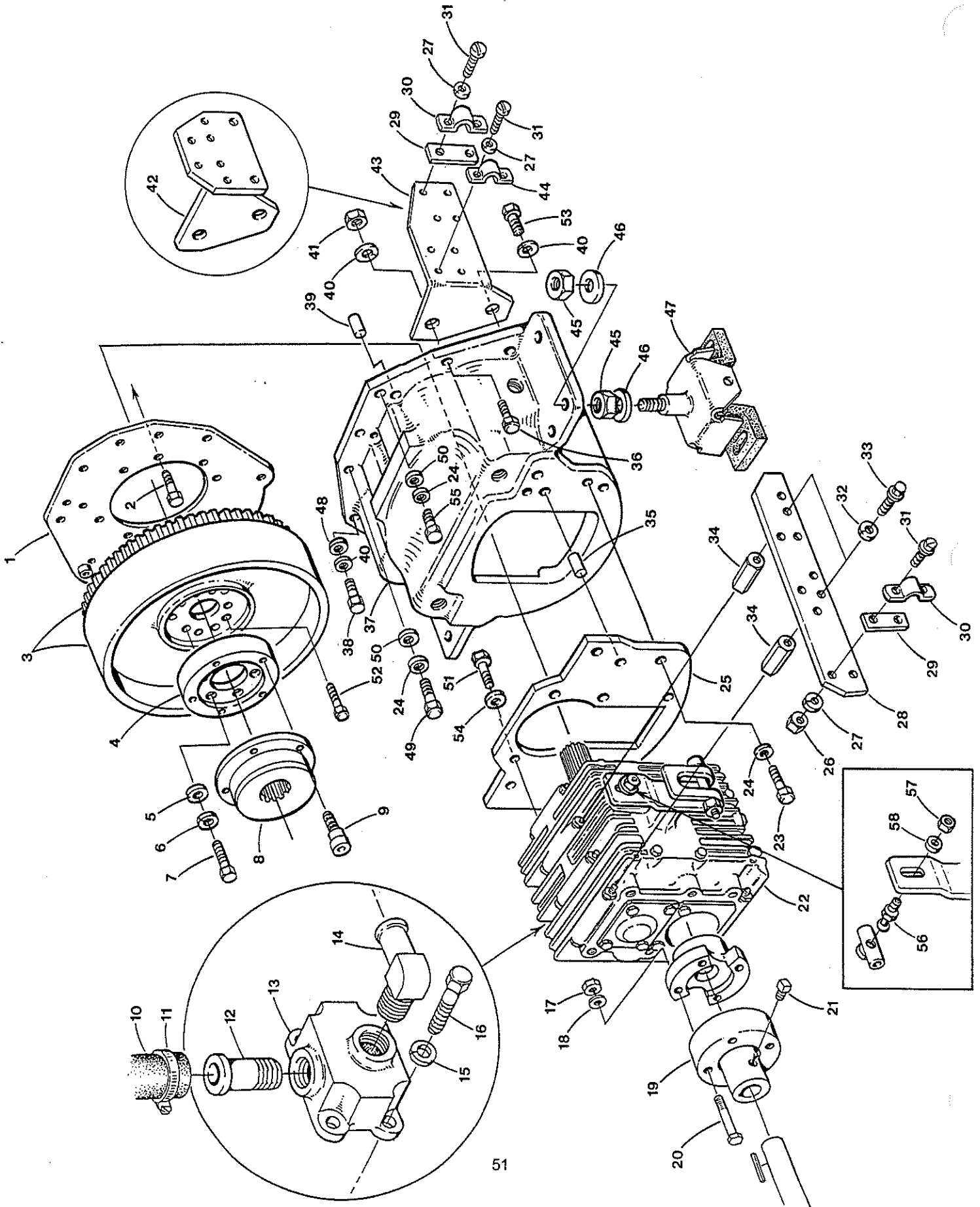
RAW WATER PUMP



RAW WATER PUMP

Reference #	Part #	Part Name	Remarks	Quantity
1	042175	PUMP	RAW WATER INCLUDES REF #'S 6 - 20	1
2	030183	ELBOW	1/2 NPT X 7/8 HOSE 90 DEG	1
3	011386	CLAMP	HOSE 12	1
4	019059	HOSE	7/8 INCH WIRE INSERTED - INCHES REQ'D	26
5	302877	O-RING		1
6	200175	IMPELLER KIT	INCLUDES REF #'S 5,6 & 8	1
7	302878	PLATE	PUMP END	1
8	302879	GASKET	PUMP	1
9	302876	WASHER	FLAT	1
10	302885	SEAL	PUMP,ASSEMBLY	1
11	302880	SEAT	SEAL	1
12	302881	SEAL	WATER PUMP	1
13	302866	SLINGER	PUMP	1
14	018146	RING	RETAINING (INTERNAL)	1
15	302884	BEARING	BALL	2
16	302874	KEY	WOODRUFF #61	1
17	200536	SHAFT	WATER PUMP	1
18	018145	RING	RETAINING (EXTERNAL)	3
19	032183	LOCKWASHER	1/4	3
20	018143	CAPSCREW	IMPELLER COVER	3
21	303172	SEAL	PUMP	1
22	302678	GASKET	RAW WATER PUMP MOUNT	1
23	302871	SCREW	CAM	1
24	302872	CAM	PUMP	1
25	020628	CAPSCREW	M 6 X 25 DIN 933	2
26	031783	LOCKWASHER	M 6 DIN 127	2
27	200419	CLAMP	RAW WATER PUMP MOUNT	1
28	200418	CLAMP	RAW WATER MOUNT	1
29	302217	ELBOW	1/2 NPT x 5/8 HOS, 90 DEG	1
30	200176	PUMP KIT	REBUILD	1

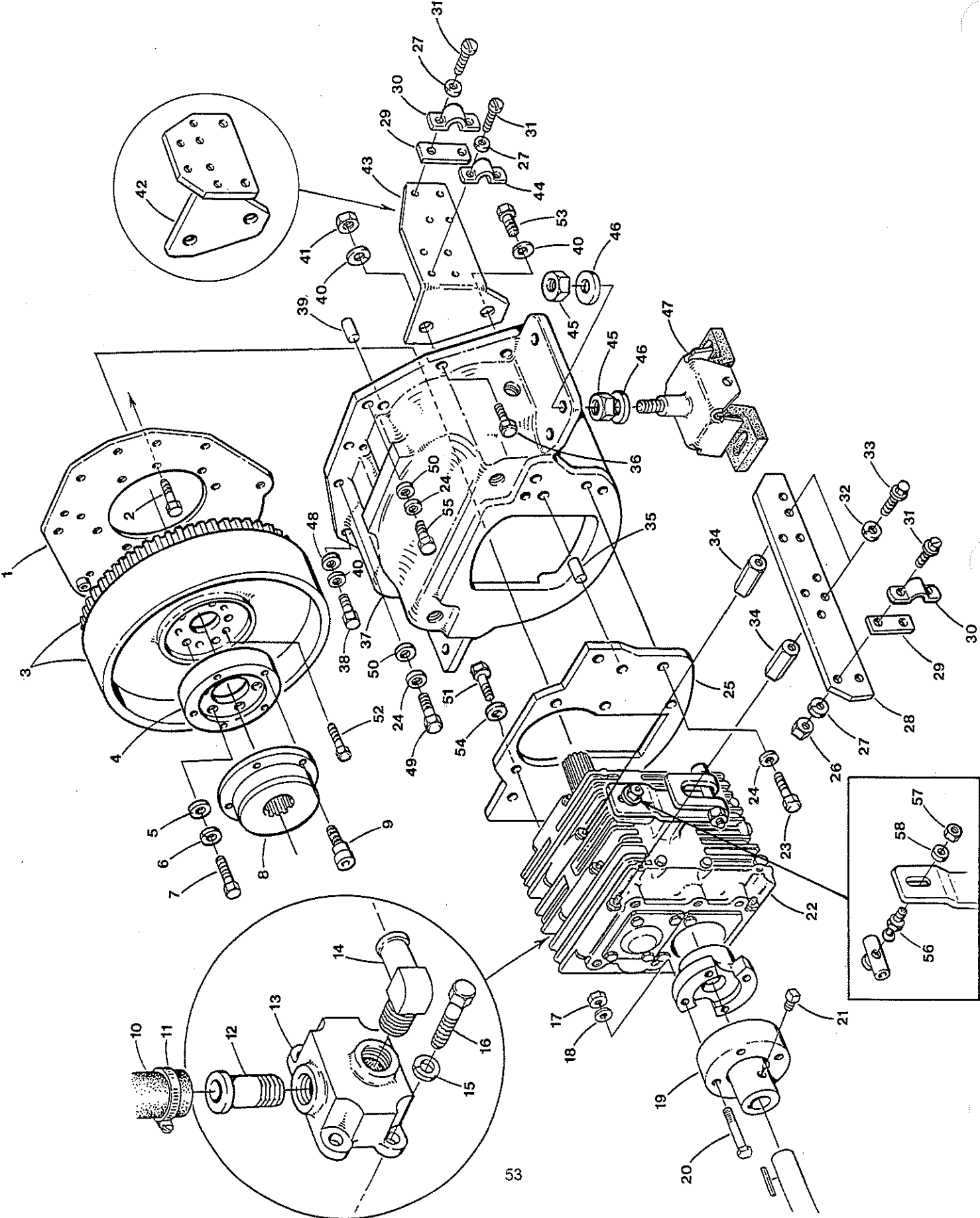
BELL HOUSING AND TRANSMISSION



BELL HOUSING AND TRANSMISSION

Reference #	Part #	Part Name	Remarks	Quantity
1	200741	PLATE	BACK END	1
2	300172	BOLT	PLATE	8
3-1	200957	FLYWHEEL	ASSEMBLY - M-25XPB	1
3-2	200950	FLYWHEEL	ASSEMBLY - M-35B / M-40B	1
3-3	299505	GEAR	RING	1
4	200444	ADAPTER	DAMPER PLATE MOUNTING	1
5	031789	WASHER	M 10 DIN 125	6
6	019262	LOCKWASHER	M 10 DIN 127	6
7	024952	CAPSCREW	M 10 X 1.25 X 25 DIN 961	6
8	044624	DAMPER		1
9	200443	SCREW	SHOULDER, DAMPER	5
10	011779	HOSE	1" WIRE INSERTED - INCHES REQ'D	21
11	011405	CLAMP	HOSE 16	2
12	036622	NIPPLE	HOSE 3/4NPT TO 1	1
13	040036	COOLER	HBW TRANSMISSION - OPTIONAL	1
14	036614	ELBOW	HOSE 3/8NPT TO 1	1
15	031786	LOCKWASHER	M 8 DIN 127	4
16	017196	CAPSCREW	M 8 X 20 DIN 933	4
17	024950	NUT	M 10 X 1.25 DIN 934	4
18	019262	LOCKWASHER	M 10 DIN 127	4
19-1	023706	COUPLING	HBW, 0.75 BORE	1
19-2	023707	COUPLING	HBW, 0.875 BORE	1
19-3	023708	COUPLING	HBW, 1.0 BORE	1
19-4	023709	COUPLING	HBW, 1.125 BORE	1
19-5	023710	COUPLING	HBW, 1.25 BORE	1
19-6	023711	COUPLING	HBW, 1.375 BORE	1
19-7	023712	COUPLING	HBW, 1.5 BORE	1
20	031228	CAPSCREW	M 10 X 1.25 X 30 DIN 961	4
21	023652	SETSCREW	COUPLING 3/8 NC X 1	2
22-1	300115	TRANSMISSION	2:1 HBW 50-2R - M-25XPB	1
22-2	300116	TRANSMISSION	1.8:1 HBW100-2R - M-35B	1
22-3	300117	TRANSMISSION	1.9:1 HBW150-2R - M-40B	1
22-4	299942	TRANSMISSION	2.1:1 HBW150V-2R - V-DRIVE OPTION	1
23	013629	CAPSCREW	M 10 X 25 DIN 933	6
24	019262	LOCKWASHER	M 10 DIN 127	8
25-1	200333	ADAPTER	HBW 35-150	1
25-2	200371	ADAPTER	HBW 150V - V-DRIVE OPTION	1
26	031847	NUT	HEX,10-32 MACHINE (STAINLESS)	2
27	031849	LOCKWASHER	SPLIT, 10 MED (STAINLESS)	6
28	032161	BRACKET	SHIFT CABLE	1
29	013870	SHIM	CABLE CLAMP	2
30	013325	CLAMP	CABLE	2
31	031873	SCREW	10-32 X 5/8 (STAINLESS)	6
32	031786	LOCKWASHER	M 8 DIN 127	2
33	013630	CAPSCREW	M 8 X 25 DIN 933	2
34	030756	NUT	PILLAR, M 8 X 1.25	2
35	019039	DOWEL		2
36	018811	CAPSCREW	M 8 X 40 DIN 931	1
37	200365	HOUSING	FLYWHEEL	1
38	298539	CAPSCREW	M 8 X 28 DIN 933	5
39	301037	DOWEL		2
40	031786	LOCKWASHER	M 8 DIN 127	7
41	018242	NUT	M 8 DIN 934	1

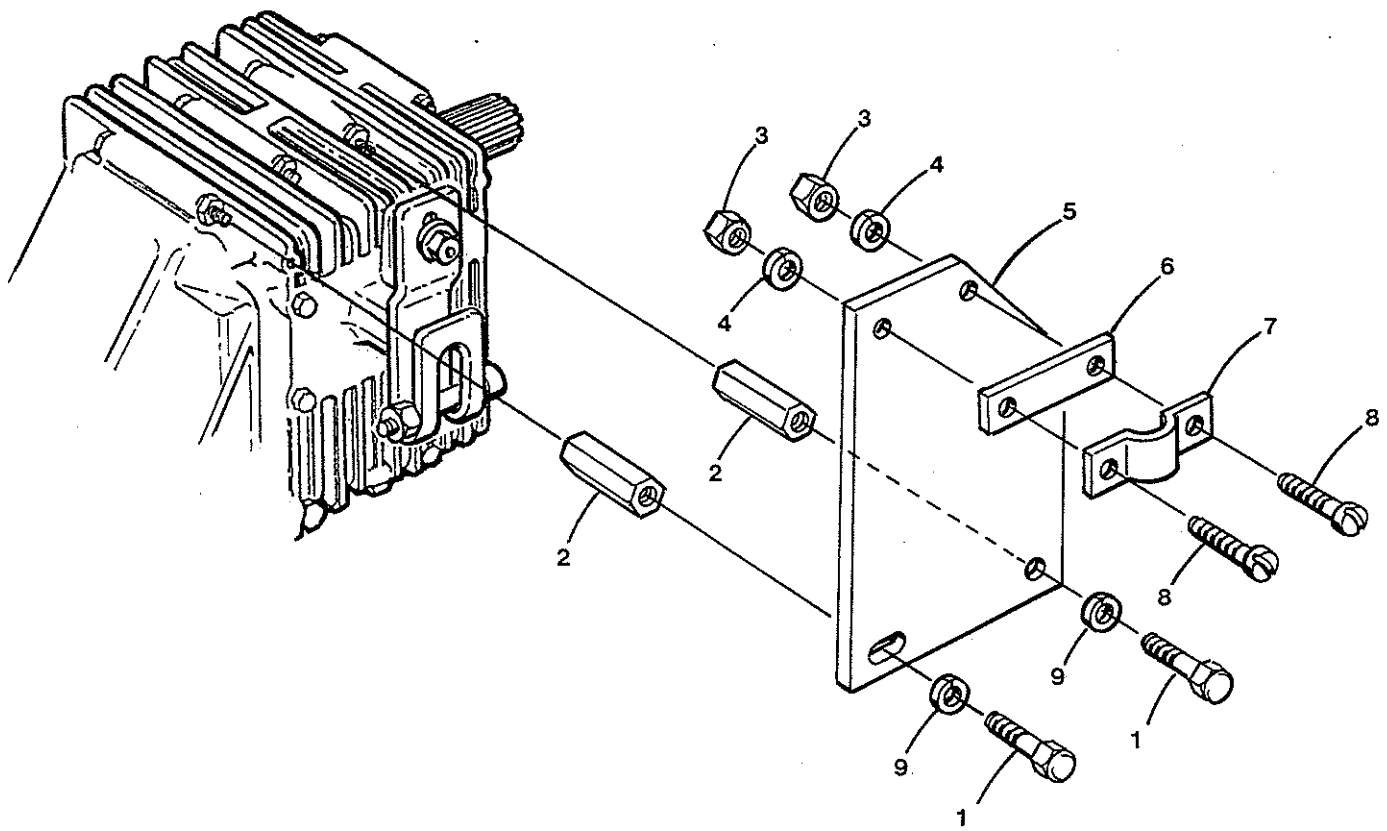
BELL HOUSING AND TRANSMISSION



BELL HOUSING AND TRANSMISSION

Reference #	Part #	Part Name	Remarks	Quantity
42	200433	BRACKET	THROTTLE CONTROL CABLE - M-25XPB	1
43	200434	BRACKET	THROTTLE CONTROL BRACKET - M-35B / M-40B	1
44	013871	CLAMP	FUEL SHUT-OFF CABLE	1
45	040966	NUT	JAM M 16, SELF-LOCKING	2
46	031828	WASHER	FLAT, 5/8 SAE (STEEL)	2
47	040510	ISOLATOR	MARINE 75-130 LB.	2
48	031787	WASHER	M 8 DIN 125	5
49	024953	CAPSCREW	M 10 X 1.25 X 35 DIN 961	1
50	031789	WASHER	M 10 DIN 125	2
51-1	020650	CAPSCREW	M 8 X 18 DIN 933	6
51-2	018813	CAPSCREW	M 10 X 20 DIN 933	6
52	200796	BOLT	FLYWHEEL	6
53	013630	CAPSCREW	M 8 X 25 DIN 933	1
54-1	031786	LOCKWASHER	M 8 DIN 127	6
54-2	019262	LOCKWASHER	M 10 DIN 127	6
55	024955	CAPSCREW	M 10 X 1.25 X 45 DIN 960	1
56	033482	BALLJOINT	SHIFT CABLE	1
57	031754	NUT	1/4 NF	1
58	031752	LOCKWASHER	1/4	1

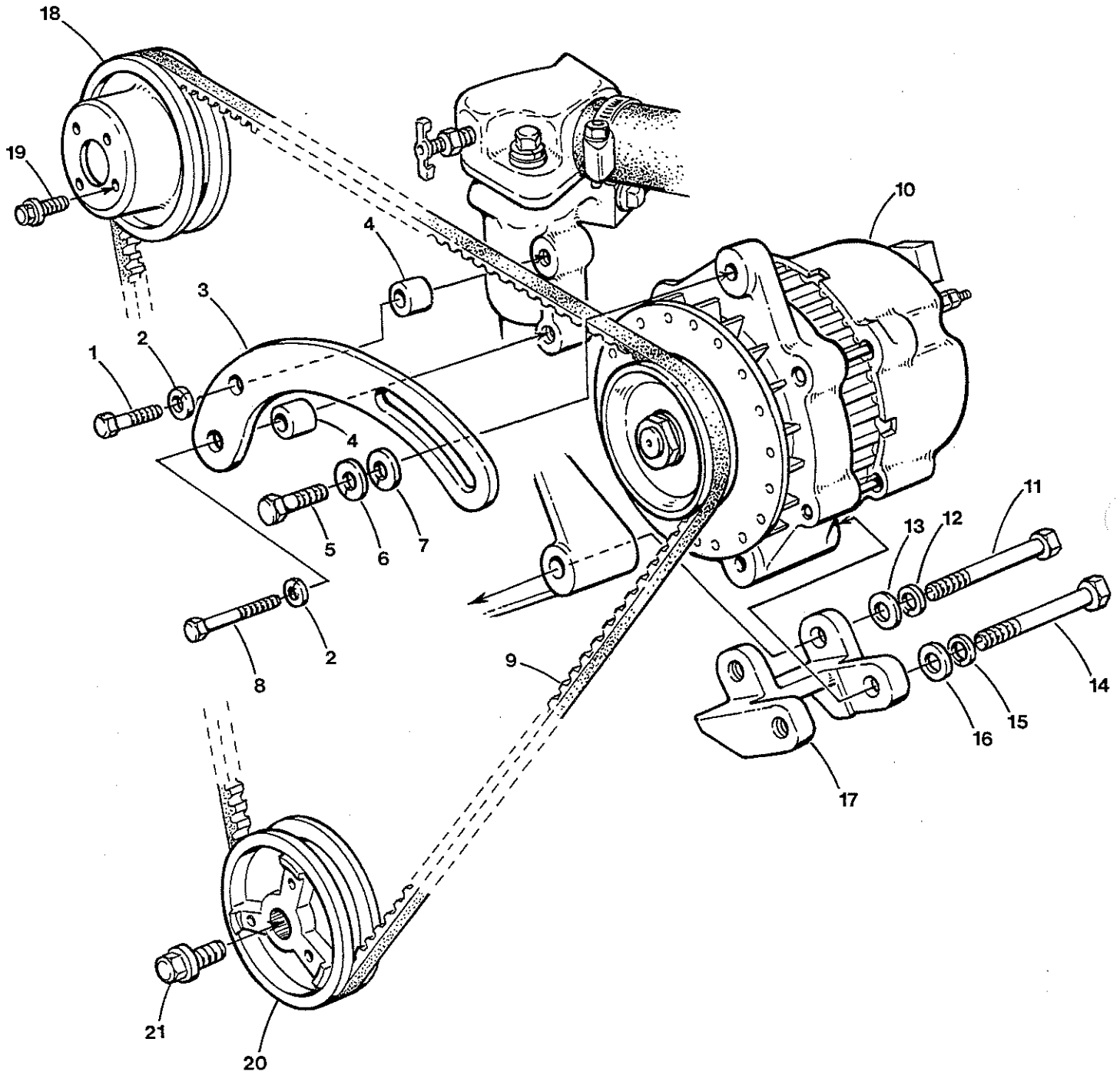
MODEL HBW VERTICAL SHIFTING BRACKET



MODEL HBW VERTICAL SHIFTING BRACKET

Reference #	Part #	Part Name	Remarks	Quantity
1	013630	CAPSCREW	M 8 X 25 DIN 933	2
2	030756	NUT	PILLAR, M 8 X 1.25	2
3	031847	NUT	HEX,10-32 MACHINE (STAINLESS)	2
4	031849	LOCKWASHER	SPLIT, 10 MED (STAINLESS)	2
5	030181	BRACKET	SHIFT CABLE-TOP ENTRY-HBW GEAR	1
6	013870	SHIM	SHIFT CABLE CLAMP BOTTOM	1
7	013325	CLAMP	SHIFT CABLE	1
8	031873	SCREW	10-32 X 5/8 (STAINLESS)	2
9	031786	LOCKWASHER	M 8 DIN 127	2

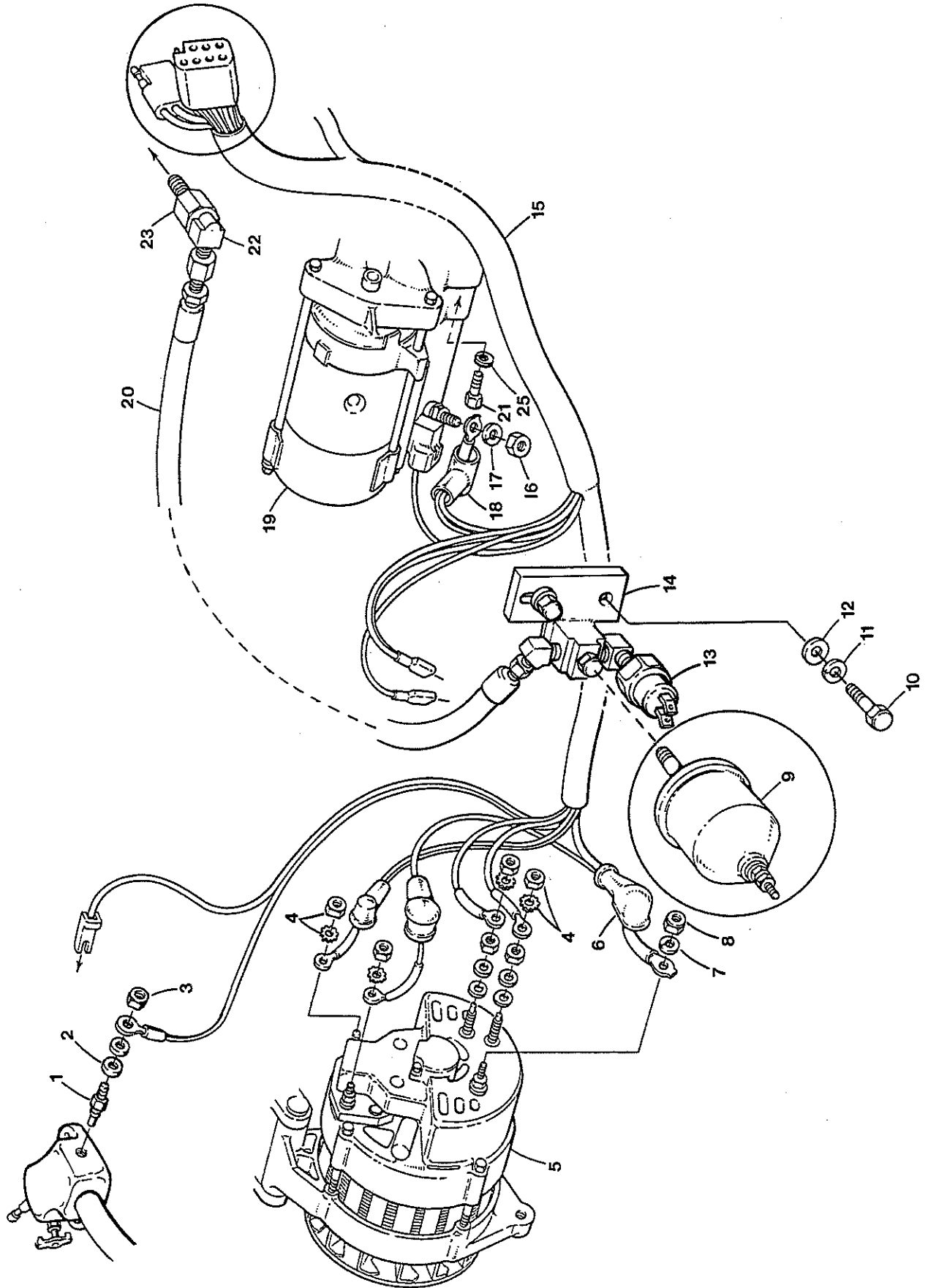
ALTERNATOR ASSEMBLY



ALTERNATOR ASSEMBLY

Reference #	Part #	Part Name	Remarks	Quantity
1	031824	CAPSCREW	M 6 X 35 DIN 933	1
2	031783	LOCKWASHER	M 6 DIN 127	2
3	200438	STRAP	ALTERNATOR ADJUSTING	1
4	044098	SPACER		2
5	031555	CAPSCREW	5/16NC X 1	1
6	031758	LOCKWASHER	SPLIT, 5/16 MED (STEEL)	1
7	033381	WASHER	FLAT	1
8	034212	CAPSCREW	M 6 X 75 DIN 931	1
9	030475	BELT	FAN, 39.5 X 0	1
10-1	041017	ALTERNATOR	12VDC, 51A	1
10-2	300746	ALTERNATOR	12VDC, 72A W/AC TAP - OPTIONAL	1
11	031822	CAPSCREW	M 10 X 1.25 X 75 DIN 960	1
12	019262	LOCKWASHER	M 10 DIN 127	1
13	031789	WASHER	M 10 DIN 125	1
14	031613	CAPSCREW	3/8NC X 3	1
15	031764	LOCKWASHER	SPLIT 3/8 (STEEL)	1
16	031765	WASHER	FLAT, 3/8 (STEEL)	1
17	200436	BRACKET	ALTERNATOR	1
18	200828	PULLEY	FRESH WATER PUMP	1
19	034565	CAPSCREW	M 6 X 10 JIS-FLANGE	4
20-1	200730	PULLEY	CRANKSHAFT - M-25XPB	1
20-2	200840	PULLEY	CRANKSHAFT - M-35B/M-40B	1
21	200829	BOLT	CRANKSHAFT PULLEY	1

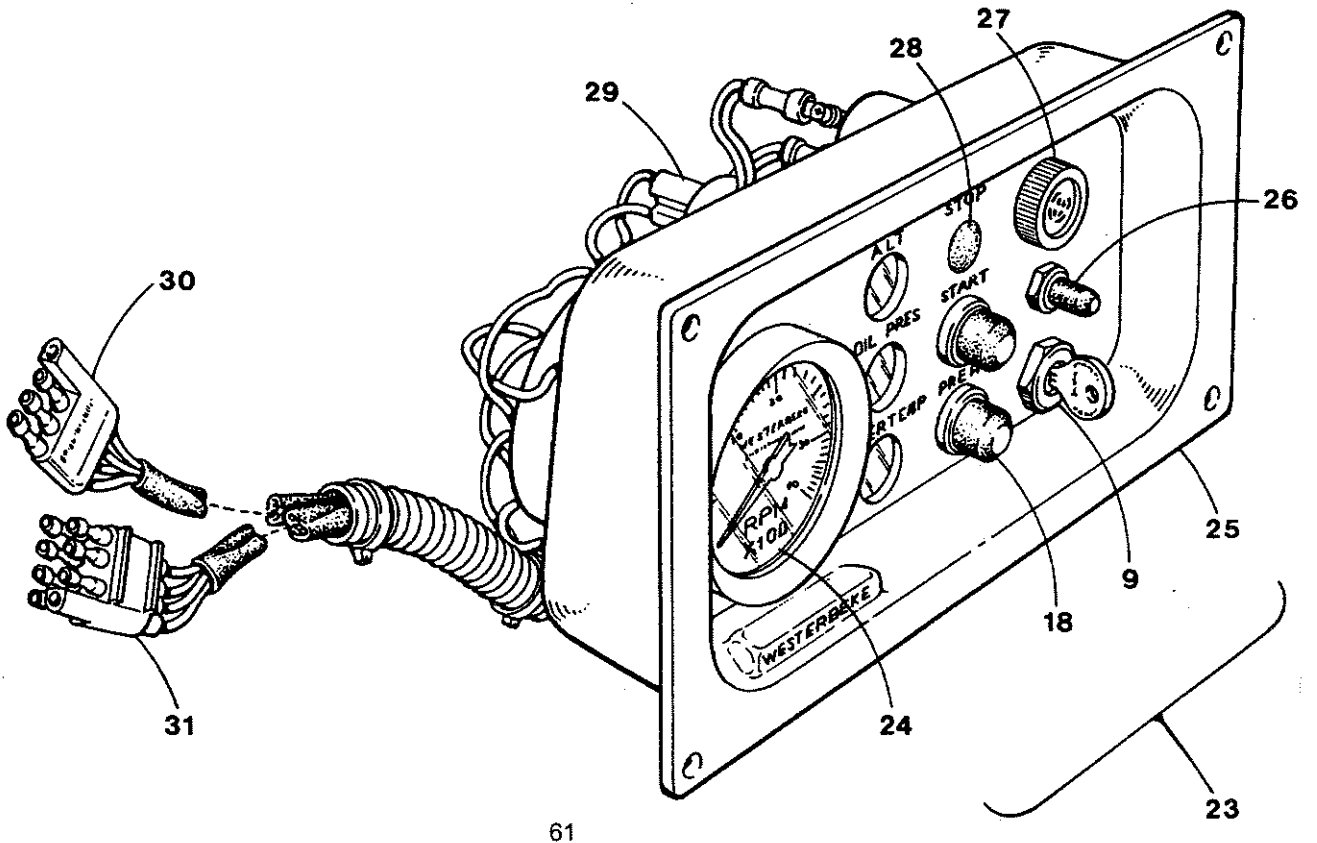
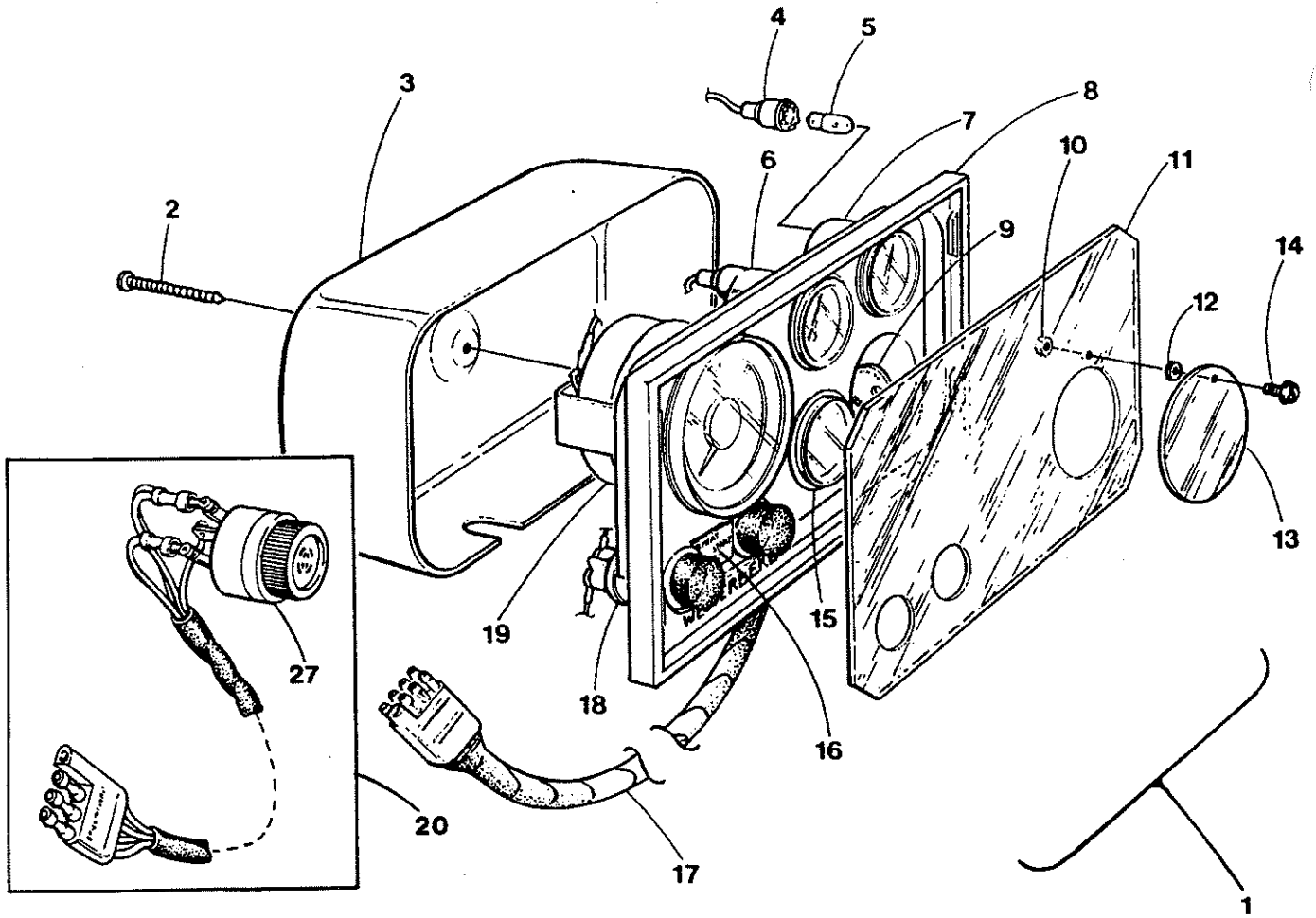
ELECTRICAL SYSTEM



ELECTRICAL SYSTEM

Reference #	Part #	Part Name	Remarks	Quantity
1	035109	SENDER	WATER TEMPERATURE	1
2	031849	LOCKWASHER	10	1
3	031847	NUT	10-32	1
4	031904	NUT	10-24, KEPS (STAINLESS)	4
5-1	041017	ALTERNATOR	12VDC, 51A	1
5-2	300746	ALTERNATOR	12VDC, 72A W/AC TAP	1
6-1	303109	BOOT	ALTERNATOR	2
6-2	034472	BOOT	TERMINAL - NOT SHOWN	1
7	031752	LOCKWASHER	SPLIT 1/4 MED (STEEL)	1
8	031750	NUT	HEX, 1/4-20 MED (STEEL)	1
9	024132	SENDER	OIL PRESSURE, 12VDC, 100 PSI	1
10	024951	CAPSCREW	M 10 X 1.25 X 20 DIN 961	2
11	019262	LOCKWASHER	M 10 DIN 127	2
12	031789	WASHER	M 10 DIN 125	2
13	037323	SWITCH	OIL PRESSURE, NO. 5	1
14	032480	BRACKET	OIL PRESSURE SENDER	1
15-1	200260	HARNES	MARINE	1
15-2	200268	HARNES	MARINE - CATALINA OPTION	1
16	018242	NUT	M 8 DIN 934	1
17	031786	LOCKWASHER	M 8 DIN 127	1
18	303107	BOOT	STARTER	1
19-1	200948	MOTOR	STARTER - M-25XPB	1
19-2	200546	MOTOR	STARTER - M-35B / M-40B	1
20	039385	HOSE	OIL	1
21	013619	CAPSCREW	M 8 X 30 DIN 933	2
22	015122	ELBOW	1/8NPT TO 45 DEG STREET (STEEL)	1
23	024844	ADAPTER	1/8 BSPT TO 1/8 NPT	1
25	031786	LOCKWASHER	M 8 DIN 127	2

PROPULSION INSTRUMENT PANELS



PROPULSION INSTRUMENT PANELS

Reference #	Part #	Part Name	Remarks	Quantity
1	200350	PANEL	ADMIRAL W/ALARM & SENDERS	1
2	030913	SCREW	SLOTTED PAN HEAD 10 X 2 SS	1
3	030119	COVER	PANEL REAR	1
5	042893	LAMP	INSTRUMENT 12VDC INCL HOLDER	3
6	037601	METER	WATER TEMPERATURE	1
7	037603	METER	OIL PRESSURE	1
8	039827	PANEL	PLATE	1
9	033693	KEYSWITCH	OFF/ON	1
10	030003	NUT	NYLON LOCKING 6-32	1
11	033684	COVER	FACEPLATE	1
12	030002	SPACER	NYLON	1
13	024996	WINDOW	KEYSWITCH COVER	1
14	030001	SCREW	NYLON 6-32 X 1/2 WASHER HD	1
15	037605	VOLTMETER	12VDC	1
16	033682	DECAL	SWITCH IDENTIFICATION	1
17	030148	CABLE	PANEL TO ENGINE 8 PIN	1
18-1	033764	SWITCH	PUSHBUTTON START/PREHEAT	2
18-2	019031	CAP	SWITCH COVER REPLACEMENT	2
19	011917	METER	TACHOMETER-HOUR	1
20	036829	ALARM	ASSEMBLY	1
21	035825	WIRE	POWER TO METER LAMPS	3
22	039144	DIAGRAM	WIRING ENGINE	1
23	200362	PANEL	CAPTAIN	1
24	036590	METER	TACHOMETER	1
25	039828	PANEL	PLATE	1
26-1	036479	SWITCH	TEST	1
26-2	036490	CAP	SWITCH	1
27	013355	BUZZER	ALARM	1
28	030946	PLUG	NYLON	1
29-1	024947	LAMP	12VDC	3
29-2	036483	HOLDER	LAMP	3
30	036626	HARNESS	PANEL TO ENGINE 4 PIN	1
31	036627	HARNESS	PANEL TO ENGINE 8 PIN	1
32	036477	TERMINAL-DIODE	ASSEMBLY	1
33	038049	SPACER	TERMINAL-DIODE ASSEMBLY	2
34	039769	PLATE	UNIVERSAL LOGO	1
35	200360	DIAGRAM	WIRING ENGINE - CATALINA	1
36	036630	DRAWING	TEMPLATE TO INSTALL EITHER PANEL	1

NOTES

MISCELLANEOUS

Reference #	Part #	Part Name	Remarks	Quantity
1	200522	KIT A	M-25XPB, M-35B, M-40B SPARE PARTS	1
2-1	201038	KIT B	M-25XPB - EXTENDED CRUISE	1
2-2	201039	KIT B	M-35B - EXTENDED CRUISE	1
2-3	201040	KIT B	M-40B- EXTENDED CRUISE	1
3-1	201030	GASKET SET	UPPER - M-25XPB	1
3-2	201029	GASKET SET	COMPLETE - M-25XPB	1
3-3	201034	GASKET SET	UPPER - M-35B	1
4-1	201032	GASKET SET	COMPLETE- M-35B	1
4-2	201035	GASKET SET	UPPER - M-40B	1
4-3	201037	GASKET SET	COMPLETE - M-40B	1
5	032974	FILTER	PRIMARY FUEL SEPERATOR	1
6	015010	STRAINER	RAW WATER	1
7	033327	VALVE	ANTI-SIPHON	1
8	302981	PAINT	BLUE AEROSOL SPRAY CAN	1
9	201016	KIT	FUEL HARDWARE	1
10-1	030760	HARNESS	15 FT. PANEL EXTENSION 8 PIN	1
10-2	036557	HARNESS	15 FT. PANEL EXTENSION 4 PIN	1
11	040078	FILTER KIT	REMOTE LUBE OIL	1
13	200550	MANUAL	OPERATOR - UNIVERSAL "B" SERIES	1
14	200554	MANUAL	SERVICE - M-25XPB/M-35B/M-40B	1
15	024177	KIT	REMOTE FRESH WATER SURGE TANK	1

Numerical Parts Index

Part #	Page	Ref	Part #	Page	Ref	Part #	Page	Ref
011386	25	14	015122	59	22	019262	43	20
011386	49	3	015774	45	10-2	019262	57	12
011405	25	3	015774	25	29	019262	3	15
011405	45	11	015812	13	28	019262	1	15
011405	51	11	015812	39	3	019262	5	13
011405	47	42	015812	13	21	019262	59	11
011471	25	18	016789	7	23-1	019262	51	6
011471	45	1	016789	5	23-1	019262	25	6
011779	51	10	016789	9	1-1	019262	7	13
011796	39	13	016789	11	1-1	019321	25	10
011885	25	17	017196	1	3-1	019369	45	7-2
011917	61	19	017196	3	3-1	019369	5	15
011925	13	33	017196	51	16	019369	7	15
013325	55	7	017196	27	20	020628	49	25
013325	51	30	017196	29	22	020628	45	35
013340	5	29	017298	43	5	020628	17	29-1
013340	7	29	017298	27	27	020628	15	28-1
013340	7	18	017298	29	29	020650	53	51
013340	43	11	018143	49	20	021485	43	4
013340	5	18	018145	49	18	021558	45	4-2
013341	1	11	018146	49	14	021878	25	35
013341	3	11	018242	59	16	022131	45	7-3
013348	13	32	018242	43	32	022513	43	3
013355	61	27	018242	51	41	022850	25	11
013619	59	21	018804	15	27-1	022851	25	9
013629	51	23	018804	17	28-1	022852	25	12
013629	5	25-2	018811	43	24	023652	51	21
013629	7	25-2	018811	51	36	023706	51	19-1
013630	53	53	018813	25	5	023707	51	19-2
013630	51	33	018813	53	51-2	023708	51	19-3
013630	55	1	019031	61	18-2	023709	51	19-4
013870	51	29	019039	51	35	023710	51	19-5
013870	55	6	019059	25	15	023711	51	19-6
013871	53	44	019059	49	4	023712	51	19-7
015010	63	6	019262	51	18	024132	59	9
015122	5	16	019262	53	54-2	024177	63	15
015122	7	16	019262	51	24	024306	25	2
015122	7	10	019262	29	23	024637	25	24
015122	5	10	019262	27	21	024639	43	14

Numerical Parts Index

Part #	Page	Ref	Part #	Page	Ref	Part #	Page	Ref
024683	43	27	030756	55	2	031760	43	12
024704	25	27-2	030756	51	34	031764	57	15
024786	25	26	030760	63	10-1	031765	57	16
024844	59	23	030848	5	5	031783	15	27-2
024844	5	8	030848	7	5	031783	29	44
024844	7	8	030913	61	2	031783	29	40
024858	25	25	030946	61	28	031783	45	36
024905	5	28	031228	51	20	031783	27	36
024905	7	28	031503	43	26	031783	45	31-2
024906	45	19	031503	13	35	031783	17	29-2
024906	25	28	031505	43	31	031783	17	28-2
024907	25	1	031555	27	29	031783	15	28-2
024922	7	27	031555	29	31	031783	57	2
024922	5	27	031555	57	5	031783	49	26
024947	61	29-1	031613	57	14	031783	45	24
024950	51	17	031750	43	8	031783	13	22
024951	3	16	031750	59	8	031783	23	18-2
024951	59	10	031752	13	36	031783	21	18-2
024951	5	14	031752	53	58	031783	13	16-2
024951	7	14	031752	39	10	031783	13	15-2
024951	1	16	031752	43	9	031783	39	4
024952	29	24	031752	59	7	031783	13	27
024952	51	7	031753	43	10	031784	45	6-1
024952	27	22	031753	5	26	031784	39	15
024953	53	49	031753	7	26	031786	51	40
024955	43	19	031753	43	30	031786	43	33
024955	53	55	031753	41	48	031786	51	32
024977	25	27	031753	39	9	031786	59	25
024996	61	13	031754	39	11	031786	7	23-2
030001	61	14	031754	53	57	031786	5	23-2
030002	61	12	031756	27	24	031786	59	17
030003	61	10	031756	29	26	031786	53	54-1
030119	61	3	031758	57	6	031786	51	15
030125	45	2	031758	43	13	031786	55	9
030146	13	15-1	031758	27	23	031786	45	5
030148	61	17	031758	29	25	031786	3	3-2
030181	55	5	031759	27	28	031786	1	3-2
030183	49	2	031759	29	30	031786	11	1-2
030475	57	9	031760	43	35	031786	9	1-2

Numerical Parts Index

Part #	Page	Ref	Part #	Page	Ref	Part #	Page	Ref
031786	29	21	032974	63	5	036493	7	4
031786	27	19	033381	57	7	036541	25	31
031787	45	6-2	033482	53	56	036557	63	10-2
031787	53	48	033482	39	8	036563	43	18
031789	25	7	033682	61	16	036590	61	24
031789	5	12	033684	61	11	036614	25	13
031789	7	12	033693	61	9	036614	51	14
031789	59	12	033764	61	18-1	036614	25	33-1
031789	57	13	034212	57	8	036616	25	33-2
031789	43	21	034212	45	26	036622	51	12
031789	53	50	034398	45	31-1	036626	61	30
031789	51	5	034472	59	6-2	036627	61	31
031822	57	11	034565	57	19	036630	61	36
031824	45	25	034663	13	38	036647	5	6
031824	57	1	035109	59	1	036647	7	6
031828	1	14	035109	45	7-1	036823	5	3
031828	3	14	035747	25	34-2	036823	7	3
031828	53	46	035785	33	6	036829	61	20
031843	43	23	035785	5	7	036849	25	34-1
031847	55	3	035785	7	7	036869	27	12
031847	59	3	035785	31	6	036869	29	13
031847	45	9	035789	13	20	036918	13	39
031847	43	15	035789	5	25-1	037323	59	13
031847	51	26	035789	7	25-1	037323	5	17
031849	43	16	035790	45	4-1	037323	7	17
031849	51	27	035799	35	29	037393	7	2
031849	55	4	035799	37	29	037393	5	2
031849	59	2	035799	39	23	037601	61	6
031849	45	8	035800	39	17-1	037603	61	7
031873	55	8	035800	35	35	037605	61	15
031873	51	31	035800	37	35	038049	61	33
031904	59	4	035800	45	17	038500	39	17-2
031935	25	37	035825	61	21	039140	43	6-1
032161	51	28	036425	25	32	039140	43	6-2
032175	13	13	036477	61	32	039140	27	30
032183	49	19	036479	61	26-1	039140	29	32
032480	5	11	036483	61	29-2	039144	61	22
032480	7	11	036490	61	26-2	039275	43	7
032480	59	14	036493	5	4	039385	5	9

Numerical Parts Index

Part #	Page	Ref	Part #	Page	Ref	Part #	Page	Ref
039385	7	9	043065	21	16	200438	57	3
039385	59	20	043065	23	16	200438	45	23
039769	61	34	043066	21	17	200439	25	16-2
039806	43	17	043066	23	17	200442	3	18
039827	61	8	043066	45	30-1	200442	1	18
039828	61	25	043480	43	22	200443	51	9
039874	27	38	044098	57	4	200444	51	4
039874	29	43	044098	45	22	200446	25	20-1
040036	51	13	044497	35	28	200446	25	20-2
040073	13	37	044497	37	28	200456	1	35
040074	13	34	044624	51	8	200457	3	35-1
040075	13	31	045545	41	47	200486	25	30-2
040078	13	29	200175	49	6	200488	25	30-1
040078	63	11	200176	49	30	200502	45	3-2
040384	27	11	200258	43	25	200503	47	44
040384	29	12	200260	59	15-1	200522	63	1
040384	43	28	200268	59	15-2	200536	49	17
040510	3	19	200333	51	25-1	200546	59	19-2
040510	53	47	200350	61	1	200550	63	13
040510	1	19	200360	61	35	200554	63	14
040622	27	13	200362	61	23	200573	27	34
040622	29	15	200365	51	37	200574	27	33
040966	1	13	200371	51	25-2	200575	27	32
040966	3	13	200418	49	28	200595	43	1-1
040966	53	45	200418	45	40	200595	43	1-2
041017	59	5-1	200419	49	27	200617	27	16
041017	57	10-1	200419	45	37	200617	29	18
041424	45	30-2	200421	25	16-1	200624	13	23-1
042175	49	1	200422	45	3-1	200625	39	27
042175	45	39	200428	45	10-1	200626	35	1
042225	27	17	200429	21	7	200628	15	20
042225	29	19	200429	23	7	200630	39	7-2
042225	43	34	200432	25	23-2	200631	13	7-2
042289	25	36	200432	25	23-1	200632	7	24
042296	25	21-2	200433	51	42	200633	13	6-2
042296	25	21-1	200434	53	43	200634	17	20
042893	61	5	200435	1	17	200635	23	2
043065	31	1	200435	3	17	200636	1	28
043065	33	1	200436	57	17	200637	37	8

Numerical Parts Index

Part #	Page	Ref	Part #	Page	Ref	Part #	Page	Ref
200641	1	34	200711	17	4-3	200742	15	29
200641	3	34	200712	11	3-2	200742	19	30
200642	13	9	200713	17	4-2	200743	21	11
200644	31	13	200714	17	4-4	200743	23	11
200644	33	13	200715	29	37	200744	21	9
200645	31	11	200716	39	37	200744	23	9
200645	33	11	200717	39	34-1	200745	21	12
200646	31	8	200718	39	34-2	200745	23	12
200646	33	8	200719	39	33-1	200747	21	8
200647	35	17	200720	39	33-2	200747	23	8
200647	37	17	200721	39	38-1	200748	21	10
200648	39	38-2	200721	41	49	200748	23	10
200649	41	42-2	200722	3	29	200749	23	15
200650	41	41-3	200724	3	28	200750	35	19
200673	39	16	200725	3	5	200750	37	20
200676	15	12-2	200726	39	30-2	200751	37	19
200676	17	12-2	200727	39	20	200751	35	20
200677	15	12-3	200728	7	1	200753	9	5
200677	17	12-3	200729	3	26	200753	11	5
200689	13	19	200730	57	20-1	200754	9	6
200696	31	10	200731	9	11	200754	11	6
200697	9	3	200732	15	15-1	200755	35	6
200698	27	35	200733	11	2	200756	37	6
200701	27	7	200734	11	9	200757	35	4
200701	29	8	200734	9	9	200757	37	4
200702	29	11	200735	9	4	200758	35	5
200702	27	10	200735	11	4	200758	37	5
200703	27	8	200736	15	33	200759	37	12
200703	29	9	200736	19	34	200760	35	11
200704	27	9	200737	13	18	200760	37	11
200704	29	10	200738	17	27	200761	37	7
200705	33	10	200738	15	26	200761	35	7
200706	29	36	200739	19	33	200763	35	3
200707	29	35	200739	15	32	200763	37	3
200708	29	34	200739	15	22	200764	35	2
200709	11	3-1	200739	17	22	200765	23	3
200710	15	4-1	200740	15	25	200766	23	4
200710	17	4-1	200740	17	26	200767	35	23
200711	15	4-2	200741	51	1	200767	37	23

Numerical Parts Index

Part #	Page	Ref	Part #	Page	Ref	Part #	Page	Ref
200768	35	26	200788	17	17-3	200811	33	16
200768	37	26	200789	15	9-2	200811	31	16
200769	31	7	200789	17	9-2	200812	31	14
200769	33	7	200790	15	9-3	200812	33	14
200770	35	27	200790	17	9-3	200813	39	29
200770	37	27	200791	15	18	200814	39	26
200771	15	3	200791	17	18	200815	39	24
200771	17	3	200792	35	36	200816	39	28
200772	15	2	200792	37	36	200817	39	36
200772	17	2	200793	35	30	200818	39	6
200773	15	6	200793	37	30	200819	47	43
200773	17	6	200794	35	34	200820	45	27
200774	15	5	200794	37	34	200821	45	33
200774	17	5	200795	35	31	200822	45	21
200775	17	8	200795	37	31	200823	45	20-1
200775	15	8	200796	53	52	200824	45	18
200776	17	7-1	200797	1	31	200825	45	34
200776	15	7-1	200797	3	31	200826	45	28
200777	15	7-2	200798	13	3	200827	45	29
200777	17	7-2	200799	13	4	200828	57	18
200778	15	7-3	200800	15	19	200829	57	21
200778	17	7-3	200800	17	19	200830	13	17
200779	17	15-1	200801	13	10	200831	31	2
200780	15	21	200802	13	8	200831	33	2
200780	17	21	200803	33	3	200832	13	5
200781	17	14	200803	31	3	200833	31	9
200781	15	14	200804	31	4	200833	33	9
200782	15	17-1	200804	33	4	200834	27	39
200782	17	17-1	200805	39	40	200834	29	42
200783	15	9-1	200806	31	18	200835	3	8
200783	17	9-1	200806	33	18	200835	1	8
200784	15	11-1	200807	31	20	200836	13	14
200785	17	11-2	200807	33	20	200837	1	27
200785	15	11-2	200808	31	21	200837	3	27
200786	15	11-3	200808	33	21	200838	13	23-2
200786	17	11-3	200809	31	22	200839	39	18-2
200787	15	17-2	200809	33	22	200839	13	24-2
200787	17	17-2	200810	33	17	200840	57	20-2
200788	15	17-3	200810	31	17	200841	17	25-2

Numerical Parts Index

Part #	Page	Ref	Part #	Page	Ref	Part #	Page	Ref
200842	17	24-2	200876	17	1-3	200904	33	23
200843	21	14	200876	15	1-2	200905	1	2
200844	21	15	200877	35	33	200905	3	2
200845	25	22-1	200877	37	33	200906	1	22
200846	35	12	200878	35	32	200906	3	22
200847	21	3	200878	37	32	200907	41	43
200848	21	4	200879	29	14	200908	41	44
200849	35	24	200880	27	3	200909	39	31
200849	37	24	200880	29	3	200910	11	10-2
200850	35	22	200881	27	4	200911	17	11-1
200851	17	1-2	200881	29	4	200912	25	22-2
200852	17	1-4	200882	27	5	200913	39	25
200853	27	42	200882	29	5	200914	39	1-2
200854	1	29	200883	29	6	200916	1	1
200855	39	32-1	200884	33	15-2	200916	3	1
200856	43	2-1	200885	1	23	200948	59	19-1
200857	45	32	200885	3	23	200949	45	14-2
200858	13	2	200886	31	12	200950	51	3-2
200859	15	31	200886	33	12	200952	45	14-1
200859	19	32	200887	39	19	200956	1	10
200860	15	30	200888	39	30-1	200956	3	10
200860	19	31	200889	39	32-2	200957	51	3-1
200861	13	25	200890	39	1-1	200961	45	41
200862	39	22	200891	39	5	200978	1	20
200863	45	16	200892	39	14	200978	3	20
200866	31	15	200893	39	21	201000	45	15
200867	11	10-1	200894	43	2-2	201001	45	13-2
200868	13	1	200895	15	16	201002	31	19
200869	15	24	200895	17	16	201002	33	19
200869	17	25-1	200896	1	7	201002	39	35
200870	15	23	200896	3	7	201003	5	19
200870	17	24-1	200897	31	5	201004	7	19
200871	17	23-1	200897	33	5	201008	7	20
200872	23	14	200898	17	23-2	201023	41	46
200873	35	16	200899	17	15-2	201025	25	4-1
200873	37	16	200900	7	22	201026	25	4-2
200874	37	22	200901	5	1	201027	25	8
200875	17	1-1	200903	33	15-1	201028	3	35-2
200875	15	1-1	200904	31	23	201029	63	3-2

Numerical Parts Index

Part #	Page	Ref	Part #	Page	Ref	Part #	Page	Ref
201030	63	3-1	299442	35	13	301201	1	4
201032	63	4-1	299442	37	13	301201	3	4
201034	63	3-3	299445	35	18	301241	39	17-4
201035	63	4-2	299445	37	18	301241	29	38
201037	63	4-3	299446	37	9	301241	27	40
201038	63	2-1	299446	35	9	301241	39	41-1
201039	63	2-2	299447	35	8	301241	39	41-2
201040	63	2-3	299459	21	6	301241	41	45
201041	5	22	299459	23	6	301255	37	2
239457	21	5	299559	13	7-1	301256	37	1
239457	23	5	299830	43	29	301297	1	32
298539	51	38	299855	27	45	301297	3	32
298658	3	25	299855	29	45	301299	27	14
298658	1	25	299856	27	46	301299	29	16
298659	3	24	299856	29	46	301300	29	39
298659	1	24	299864	39	12	301300	27	41
298660	5	21	299906	11	8	301303	27	15
298660	7	21	299906	9	10	301303	29	17
298680	39	7-1	299942	51	22-4	301306	27	6
298738	13	6-1	299967	5	24	301306	29	7
298740	21	2	300103	27	18	301307	27	2
298794	27	1	300103	29	20	301307	29	2
298794	29	1	300115	51	22-1	301312	29	33
298843	45	12-2	300116	51	22-2	301312	27	31
298853	27	26	300117	51	22-3	301313	27	37
298853	29	28	300156	35	10	301313	29	41
298854	27	25	300156	37	10	301358	45	13-1
298854	29	27	300172	51	2	301399	23	13
299355	1	6	300209	13	11	301399	21	13
299355	3	6	300236	45	20-2	301490	13	12
299360	1	5	300237	45	12-1	301498	39	2
299362	11	12	300330	13	16-1	301507	39	18-1
299362	9	13	300330	21	18-1	301507	13	24-1
299362	1	30	300330	23	18-1	301543	1	26
299362	3	30	300716	1	21	301549	9	2
299365	39	17-3	300716	3	21	301550	9	7
299371	5	20	300746	59	5-2	301568	35	25
299440	35	14	300746	57	10-2	301581	41	42-1
299440	37	14	301037	51	39	301713	35	21

Numerical Parts Index

Part #	Page	Ref	Part #	Page	Ref	Part #	Page	Ref
301713	37	21	302876	49	9			
301729	1	33	302877	49	5			
301729	3	33	302878	49	7			
301780	17	10-1	302879	49	8			
301780	15	10-1	302880	49	11			
302181	23	19	302881	49	12			
302181	21	19	302884	49	15			
302217	49	29	302885	49	10			
302391	47	45	302981	63	8			
302453	35	15	303107	59	18			
302453	37	15	303109	59	6-1			
302470	17	13	303147	25	19			
302470	15	13	303172	49	21			
302542	15	10-3						
302542	17	10-3						
302587	1	12						
302587	3	12						
302589	1	9						
302589	3	9						
302593	9	12						
302593	11	11						
302612	17	12-1						
302612	15	12-1						
302613	15	10-2						
302613	17	10-2						
302678	49	22						
302678	45	38						
302690	11	7						
302690	9	8						
302707	21	1						
302707	23	1						
302744	13	26						
302746	39	39						
302746	41	50						
302842	13	30						
302866	49	13						
302871	49	23						
302872	49	24						
302874	49	16						