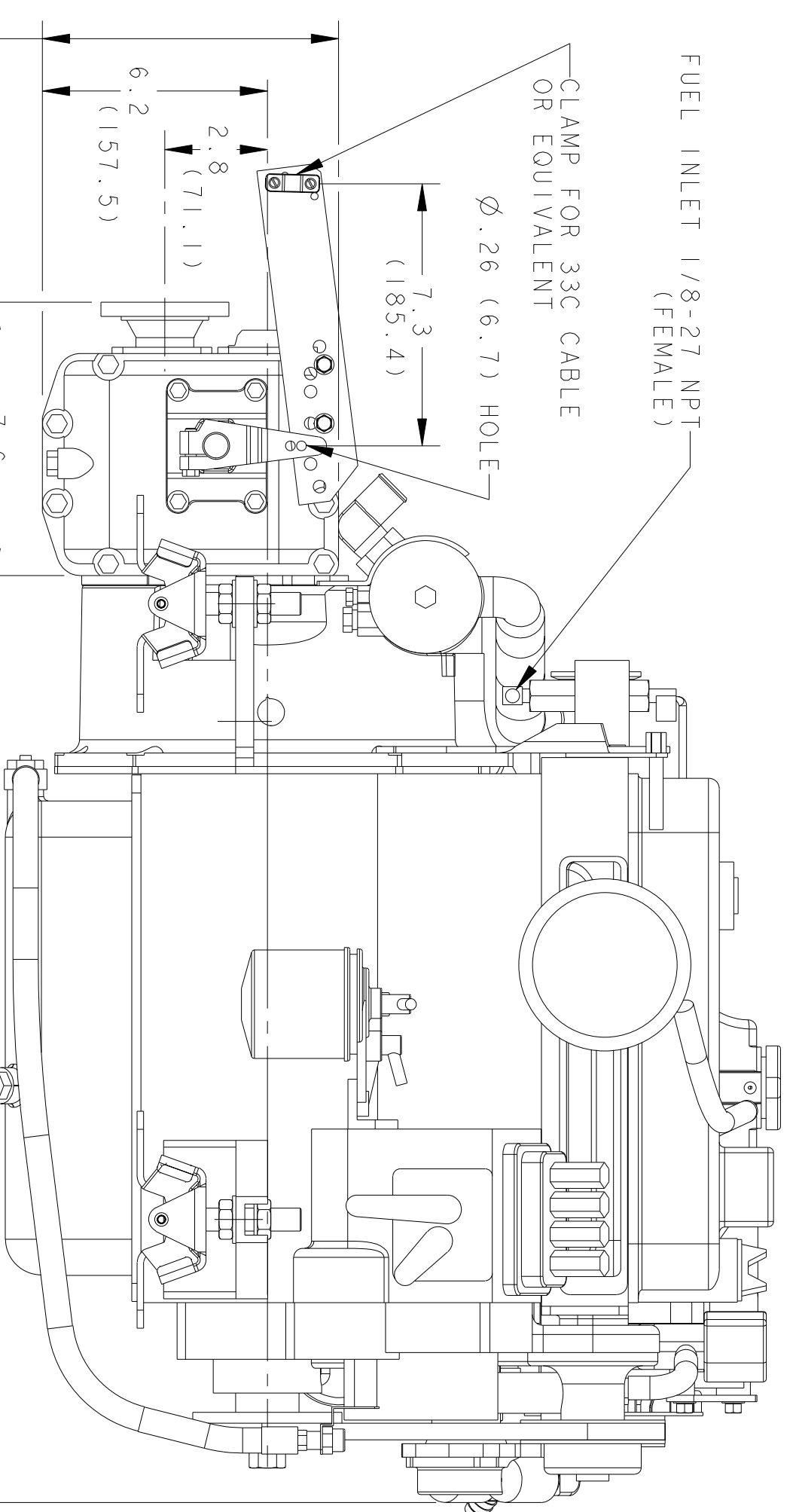


Ø2.5 (63.5) "V" CLAMP MOUNTING EXHAUST CONNECTION

FUEL RETURN CONNECTION 3/8-24NF-2B (FEMALE)

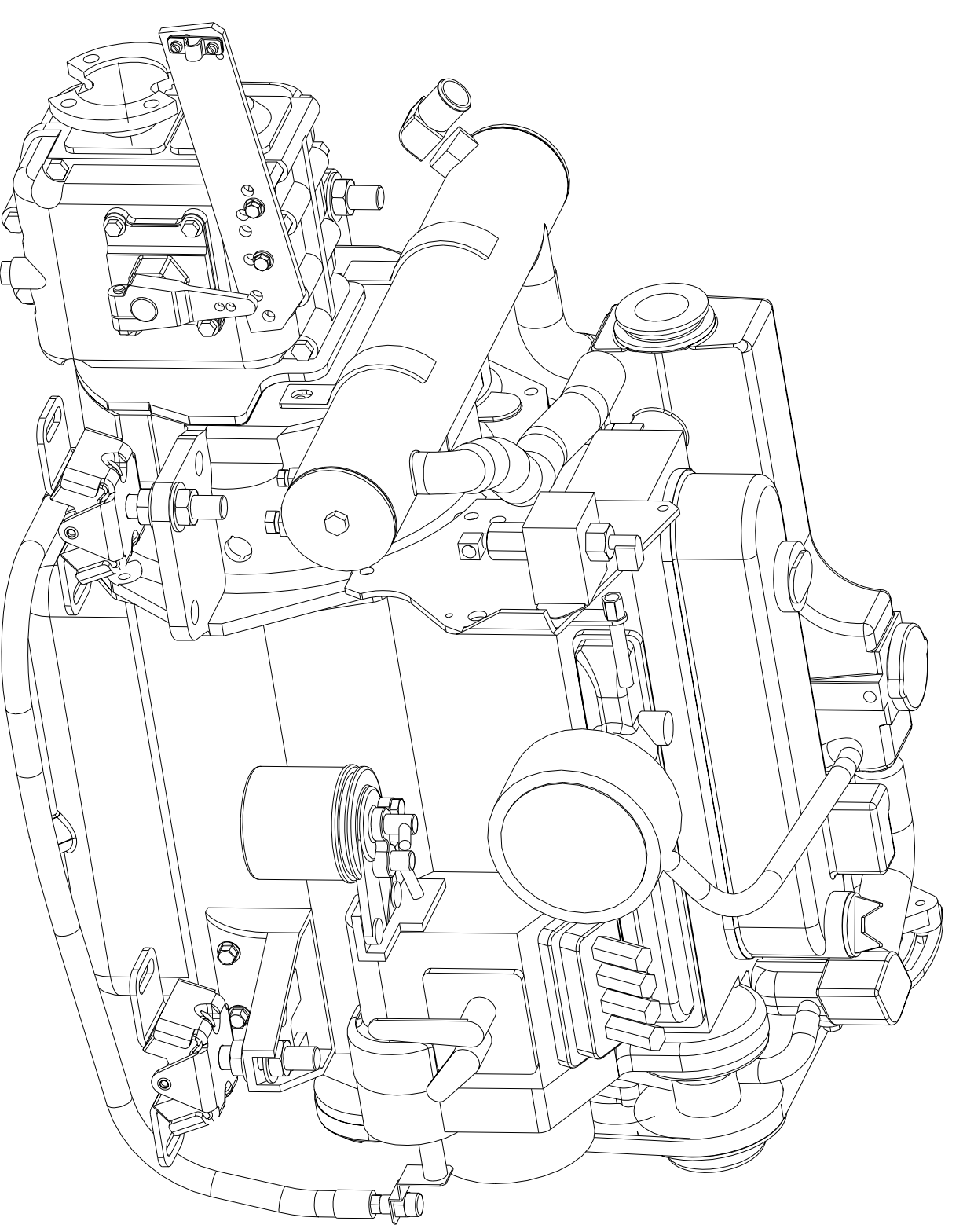
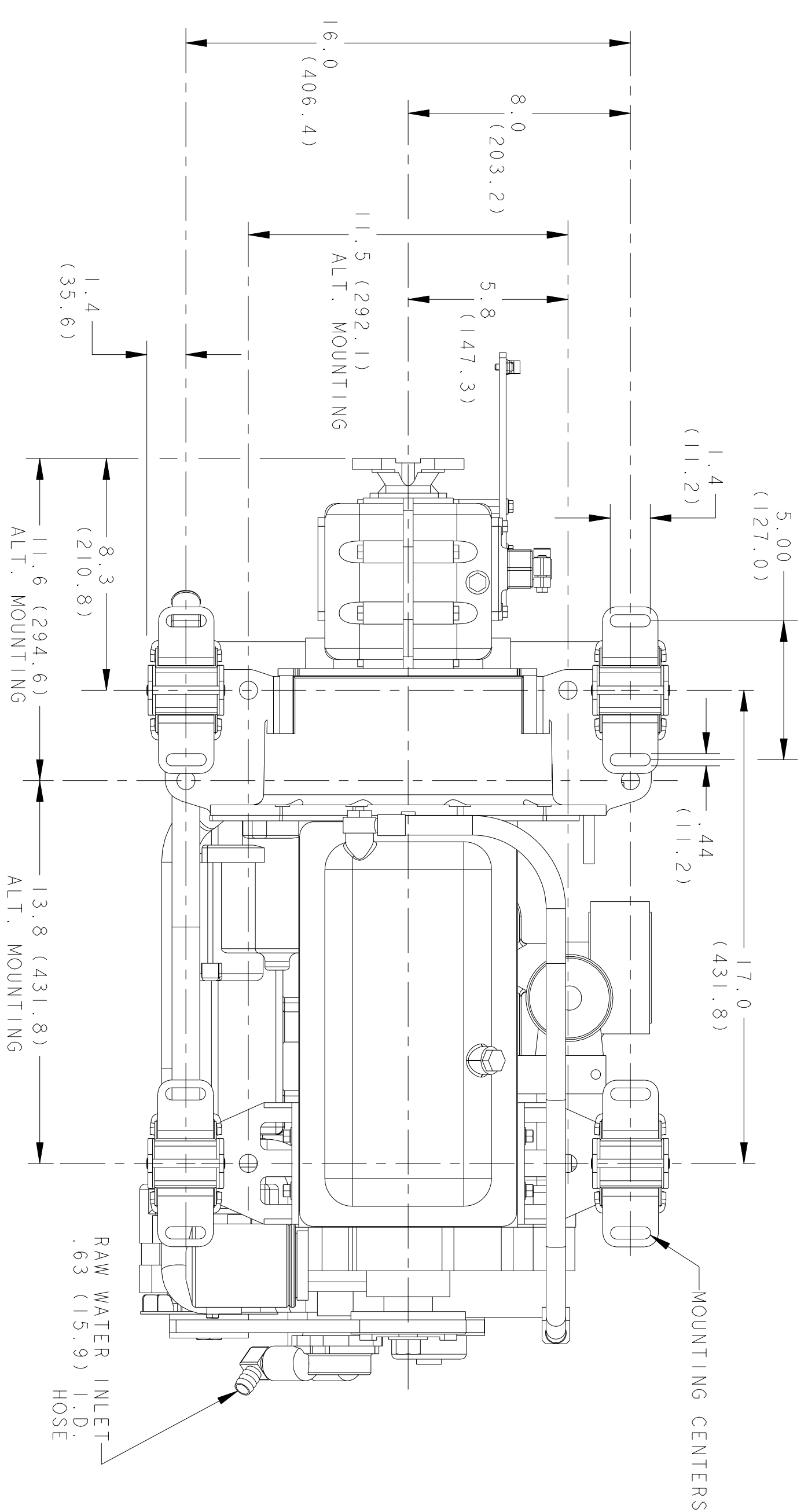
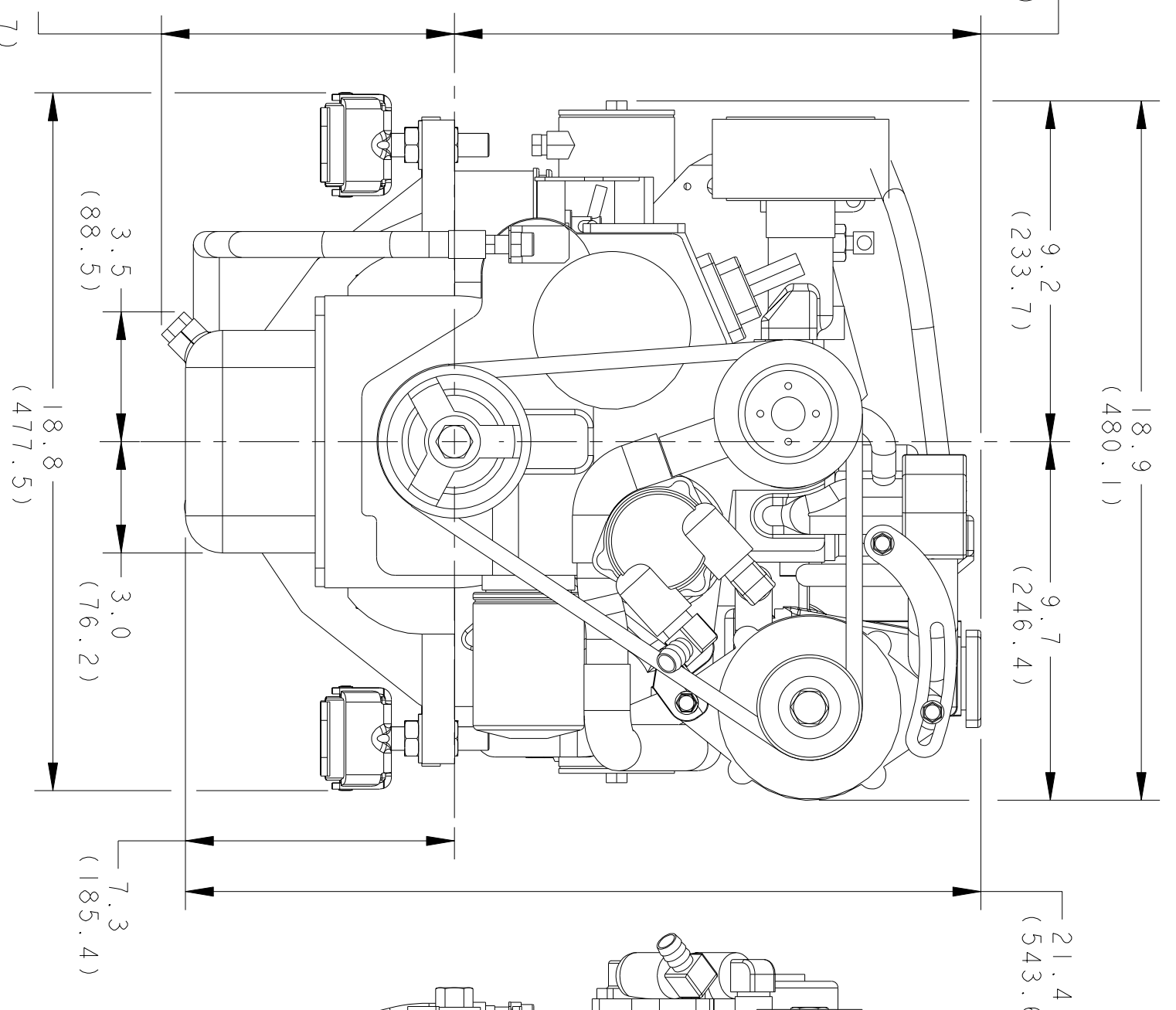


FUEL INLET 1/8-27 NPT (FEMALE)

CLAMP FOR 33G CABLE OR EQUIVALENT

Ø.26 (6.7) HOLE

RAW WATER DISCHARGE 1.0 (25.4) I.D. HOSE
 Ø.41 (10.5) THRU (4) HOLES EQUALLY SPACED ON A 3.25 (82.5) Ø B.C.



WESTERBEKE CORPORATION
 AVON, MA. 02322

TOLERANCES (UNLESS OTHERWISE NOTED)
 INCHES: .02
 MILLIMETERS: .13
 CAST: .03
 ANGLES: .5°
 FINISH: S

INCHES
 MILLIMETERS
 DIMENSIONS
 APPROVED BY: JM
 DATE: 3-14-99
 MATERIAL: 304

SCALE 1/4
 SHEET 1 OF 1
 DRAWING NUMBER: 200415
 REV.

INSTALLATION DRAWING
 M-40B WITH HBW150 TRANSMISSION